

Line Scan Camera SK512U3HU

CMOS

monochrome

USB 3.0

CMOS Digital camera for spectrophotometry, rectangular pixel shape
spectral response range 200 to 1000 nm



■ Sensor Characteristics

Sensor type:	CMOS, Monochrome
Pixel number:	512
Pixel size:	25 x 500 μm^2
Active sensor length:	12.8 mm
Max. pixel frequency:	15 MHz
Max. line frequency:	26.315 kHz
Min. integration time:	0.01 ms
Max. integration time:	20 ms
Spectral range:	200 - 1000 nm
Dynamic range:	1:5000 (rms)

■ Mechanical data

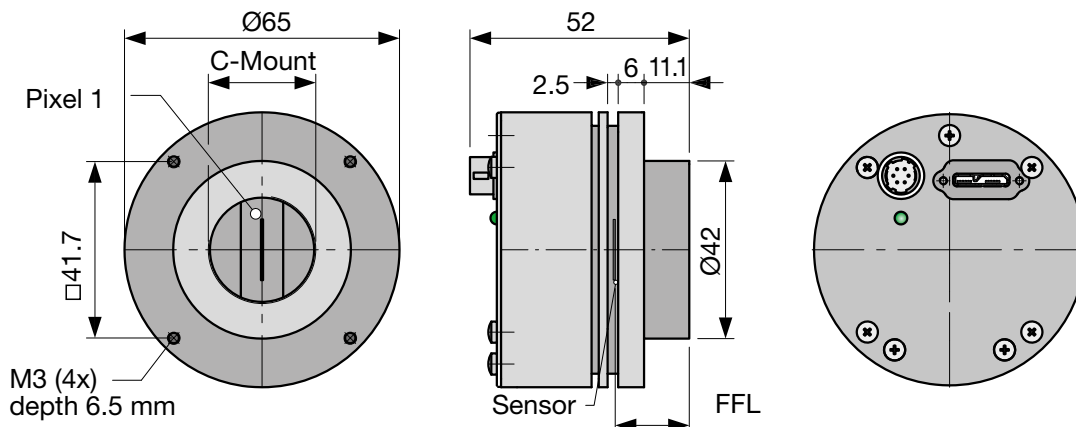
Case type:	AT1
Size:	$\text{Ø}65 \text{ mm} \times 52.4 \text{ mm}$
Mass:	0.2 kg
Lens mount:	C-Mount
Flange focal length (FFL):	17.53 mm
Seat for bracket:	$\text{Ø}42 \text{ mm}$

■ Functioning Features

Anti blooming:	x
Integration control:	x
Shading correction:	x
Look-up table:	x
Region of interest (ROI):	x
Thresholding:	x
Temperature sensor:	x
External synchronization:	x
Operating Temperature:	+5 ... +45°C

■ Connections

Interface:	USB 3.0
	Type μB , threaded
Video signals:	monochrome 8/12 Bit digital
Power supply:	via USB3 interface
External synchronization:	TTL
	Hirose 10A, 6-pin, male



Software

Software


SK91USB3-WIN Order Code

SDK from Schäfter + Kirchhoff including the **SKLineScan** operating program, as well as API, C++ class library and examples.

Operating systems:
Windows 7 / 8.1 / 10 - x64 and x86

SK91USB3-LV VI Order Code

VI-Library for LabVIEW®, requires **SK91USB3-WIN**

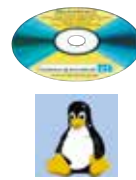


Software

SK91USB3-LX Order Code

SDK from Schäfter + Kirchhoff including the **SKLineScan** operating program, as well as libraries and examples.

Operating systems:
Linux kernel 3.13 or higher



Accessories


USB 3.0 cable SK9020.x

Camera connector: USB 3.0 plug, type micro-B, with safety lock screws

PC connector: USB 3.0 plug, type A (also fits into a USB 2.0 type A socket)

SK9020.x Order Code

└── 1 = 1 m cable length
 3 = 3 m cable length (standard)




External synchronization cable SK9026...

for line scan cameras with USB3.0 interface.

Shielded cable with Hirose plug HR10A, female 6-pin (camera side), and Phoenix 4-pin connector incl. terminal block.

SK9026.x Order Code

└── cable length 3 / 5 m
 Other lengths on request




USB 3.0 active extension cable USB3.EXT.AA10

External power supply +5VDC, length 10 m

Connectors:
1x socket USB3.0 socket, type A,
1x plug Power in, 5VDC,
1x plug USB3.0, type A (also fits a USB2.0 type A socket)

USB3.EXT.AA10 Order Code




Adapter cable for sync signals CAB-ADSync-BNC-1

BNC/SMA (3x) to line scan camera synchronization cable SK9016/SK9024/SK9026.

Shielded cable, length 0.25 m

Connectors:
1x Phoenix 4-pin connector
3x SMA plug (Line Sync A, Line Sync B, Frame Sync)
3x adapter SMA socket (outside threading) to BNC-plug

CAB-ADSync-BNC-1 Order Code




USB 3.0 active extension cable USB3.EXT.A2A...

Hybrid cable (copper/fiber), power supply by another USB-connection, cable length up to 100 m on request.

Connectors:
USB3.0 plug and socket, with locking screws

USB3.EXT.A2Ax Order Code

└── 20 = 20 m cable length
 30 = 30 m
 50 = 50 m
 other lengths up to 100 m on request



M1 Mounting Bracket SK5105

For cameras with lens thread size C-mount to M40x0.75

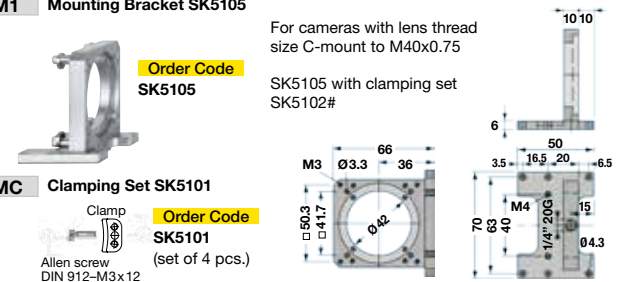
SK5105 Order Code

SK5105 with clamping set SK5102#

MC Clamping Set SK5101

Clamp **SK5101** (set of 4 pcs.) Order Code

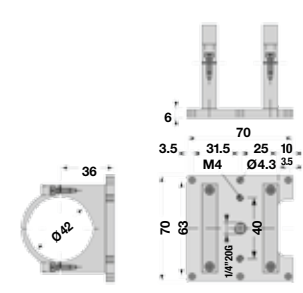
Allen screw DIN 912-M3x12



M3 Mounting System SK5105-2

SK5105-2 Order Code

For camera configurations with tube length > 55 mm using extension rings **ZR**

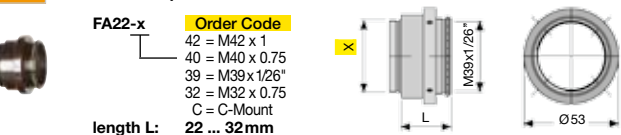


FA1 Focus adapter FA22...

FA22-x Order Code

42 = M42 x 1
40 = M40 x 0.75
39 = M39x1/26"
32 = M32 x 0.75
C = C-Mount

length L: **22 ... 32 mm**




A3 Lens Adapter F-Mount

for line scan cameras with case type **Axx** or **BGx**.

AOC-F-... Order Code

Attachment thread:
45 = M45x0.75
40 = M40x0.75
32 = M32x0.75
C = C-Mount 1"-32-TP

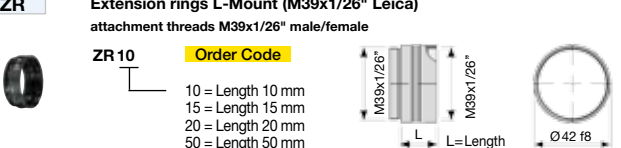


ZR Extension rings L-Mount (M39x1/26" Leica)

attachment threads M39x1/26" male/female

ZR 10 Order Code

10 = Length 10 mm
15 = Length 15 mm
20 = Length 20 mm
50 = Length 50 mm



Line Scan Camera SK512U3HU - Accessories.indd