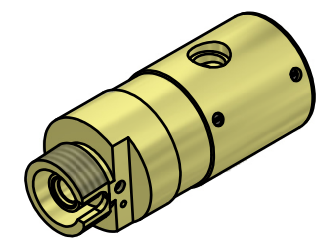
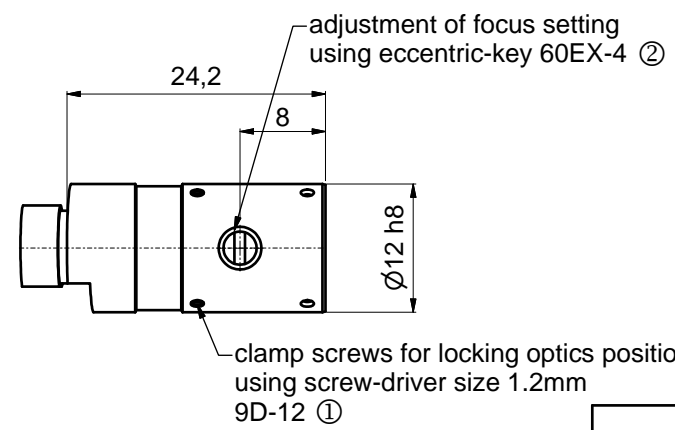


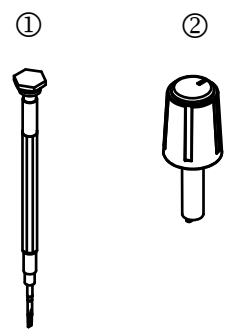
! Pin screw for additional locking of the fiber ferrule:
 - before pulling the FC-APC-connector: unlock the pin screw.
 -before inserting the FC-APC-connector: make sure the ferrule is not blocked by the pin screw!
 (using screw-driver size 1.2mm 9D-12 ①)



! Don't touch any other screws !

Tools for assembly and adjustment

- screw driver size 1.2mm 9D-12 ①
- eccentric-key 60EX-4 ②



Allgemeintoleranz ISO 2768 - f		Maßstab:	
Datum 14.06.2016		Name A.Trapp	
Bearb.		Gepr.	
Gepr.		Norm	
Schäfter&Kirchhoff		Fiber collimator f'1.5 to 12mm	
OPTO-SENSORIK UND MESSTECHNIK		60FC-4-XX-xx	
OPTIK-ENTWICKLUNG/ELEKTRONIK/SENSORTECHNIK/SOFTWARE		9709-2052-0555	
Zust.		Blatt A3	
Änderungen		Blatt 2	
Datum		Datei: 970920520555.idw	
Name		Modell: 970920520555.iam	