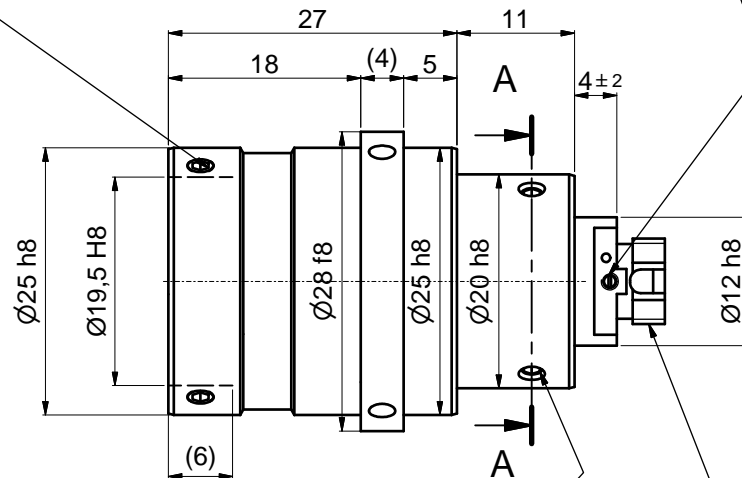
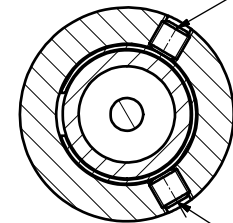


clamp screws for accessory optics (3x120°) using hex-key size 1.5mm 50HD-15 ①

! Pin screw for additional locking of the fiber ferrule:
 - before pulling the FC-connector: unlock the pin screw.
 - before inserting the FC-connector: make sure the ferrule receptacle is not blocked by the pin screw !

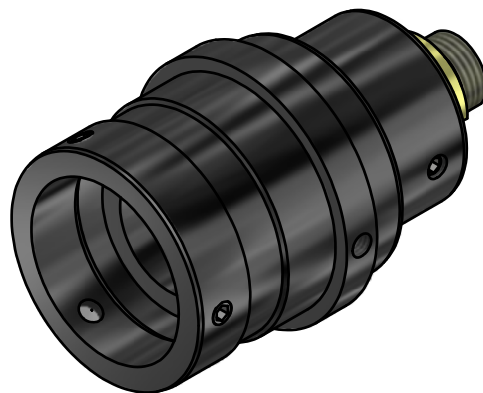


clamp screws for adjustment fiber collimator (2x120°) using hex-key size 1.5mm 50HD-15 ①



Fiber receptacle type FC-PC

clamp screws for locking focus setting (2x120°) using hex-key size 1.5mm 50HD-15 ①



! Don't touch any other screws !

Tools for assembly and adjustment

hex-key size 1.5mm 50HD-15

screw driver size 1.2mm 9D-12



Allgemeintoleranz ISO 2768 - f		Maßstab: 2:1
60FC-L-0-M20L-xx 60FC-L-0-M25-xx 60FC-L-0-M30-xx		
Bearb.	17.10.2016	Datum
Gepr.		Name
Norm		
Schäfter&Kirchhoff OPTO-SENSORIK UND MESSTECHNIK <small>OPTIK-ENTWICKLUNG/ELEKTRONIK/SORTECHNIK/OPTIKFIBER</small>		Fiber Collimator f'20-30mm
		Fiber receptacle type FC-PC
		9512-1019-0129
		Blatt A3
		Blatt 1
Zust.	Änderungen	Datum
Datei: 951210190129.idw		Modell: 951210190129.iam