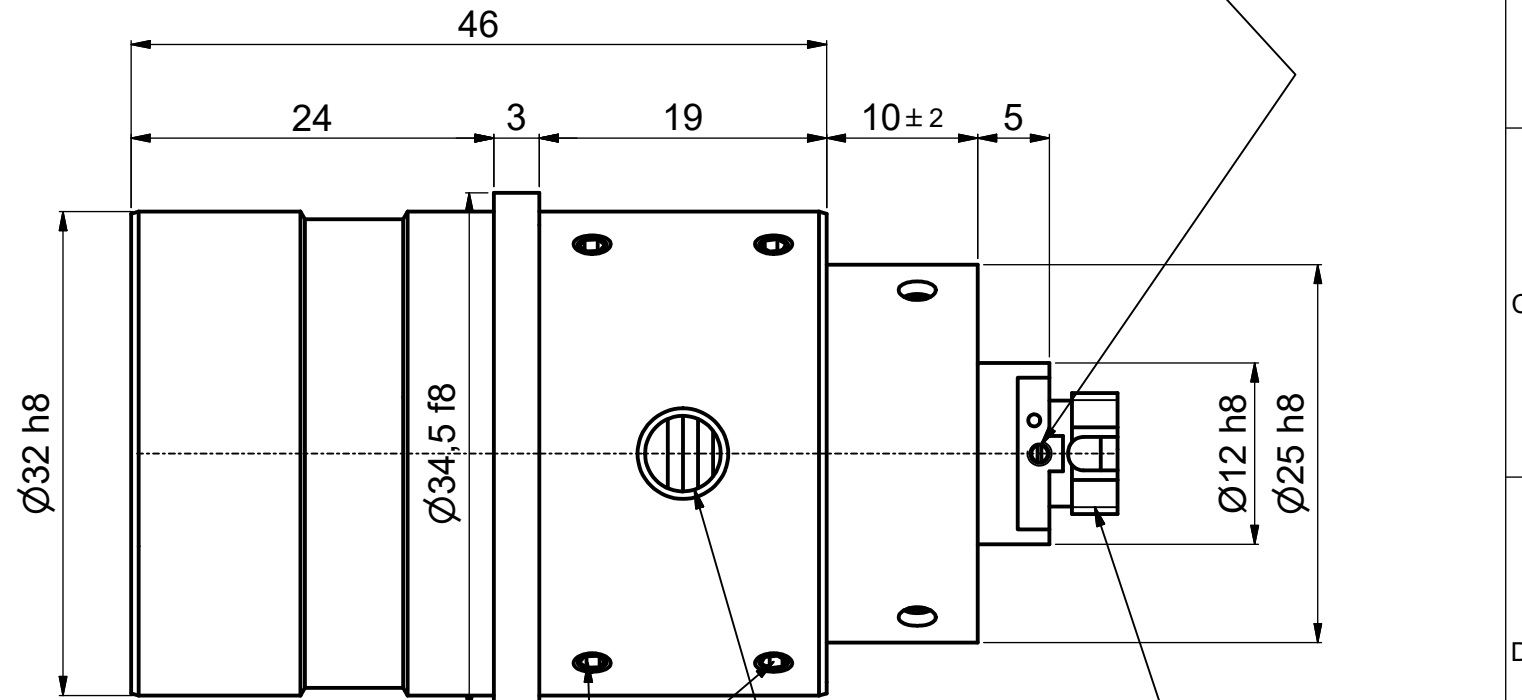


! Pin screw for additional locking of the fiber ferrule:
 - before pulling the FC-connector:
 unlock the pin screw.
 - before inserting the FC-connector:
 make sure the ferrule receptacle is not blocked
 by the pin screw !



clamp screws for locking optics position (3x120°)
 using hex-key size 1.5mm
 50HD-15 ①

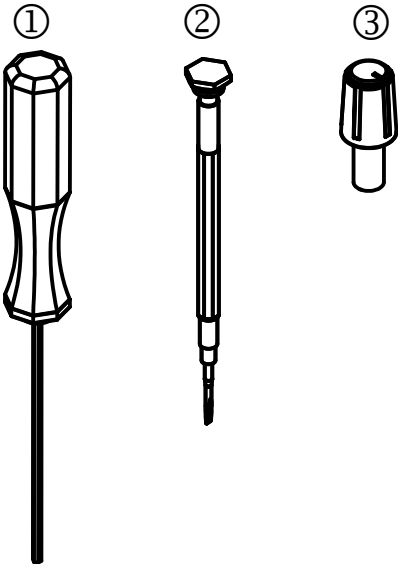
adjustment of focus setting
 using eccentric-key 55EX-5 ③

Fiber receptacle
 type FC-PC
 (wide key)

! Don't touch any other screws !



hex-key size 1.5mm 50HD-15
 screw driver size 1.2mm 9D-12
 eccentric-key 55EX-5



Allgemeintoleranz ISO 2768 - f		Maßstab: 2:1
60FC-L-0-M50L-xx		
Datum		Name
Bearb.	04.02.2016	Tp
Gepr.		
Norm		
Schäfter&Kirchhoff		Blatt A3
OPTO-SENSORIK UND MESSTECHNIK		Blatt: 2
OPTIK-ENTWICKLUNG/ELEKTRONIK/SENSORTECHNIK/SOFTWARE		
Zust.	Änderungen	Datum
Name	Datei: 980241885600.idw	Modell: 980241885600.iam

Fiber collimator f'50

Fiber receptacle type FC-PC

9802-4188-5600