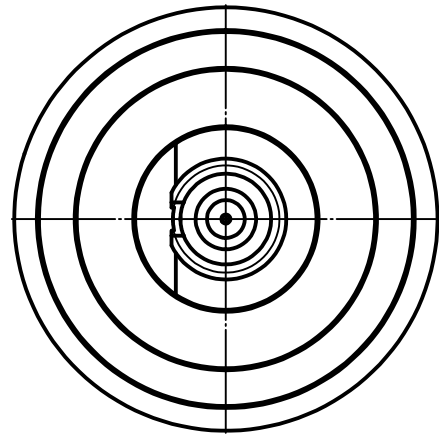
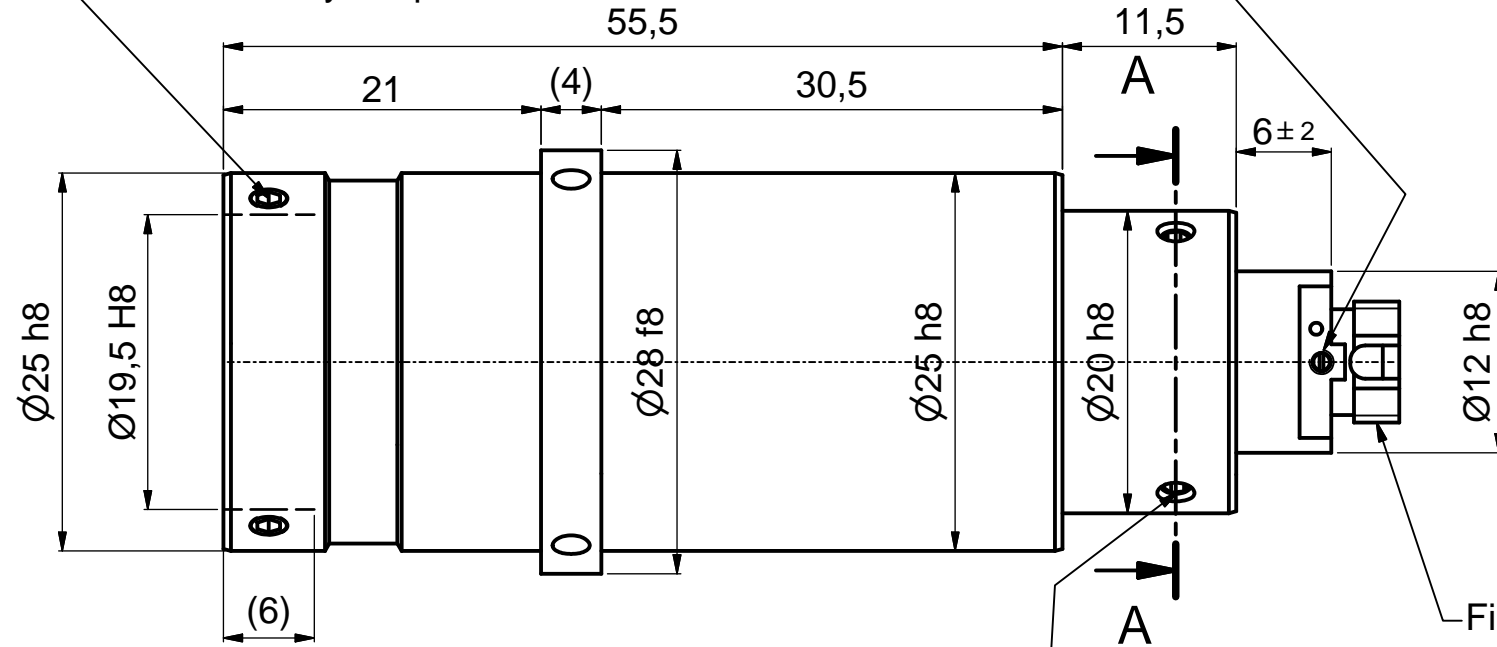


clamp screws for accessory optics (3x120°) using hex-key size 1.5mm 50HD-15 ①



! Pin screw for additional locking of the fiber ferrule:
 - before pulling the FC-connector: unlock the pin screw.
 - before inserting the FC-connector: make sure the ferrule receptacle is not blocked by the pin screw !

clamp screws for locking focus setting (2x120°) using hex-key size 1.5mm 50HD-15 ①



Fiber receptacle type FC-PC

clamp screws for locking focus setting (2x120°) using hex-key size 1.5mm 50HD-15 ①



! Don't touch any other screws !

Tools for assembly and adjustment

hex-key size 1.5mm 50HD-15

screw driver size 1.2mm 9D-12

①

②



		Allgemeintoleranz ISO 2768 - f		Maßstab: 2:1	
		60FC-L-0-M60-xx			
		Datum	Name	Fiber Collimator f'60	
		Bearb. 17.10.2016	Tp		
		Gepr.			
		Norm		Fiber receptacle type FC-PC	
				Schäfter&Kirchhoff	
				OPTO-SENSORIK UND MESSTECHNIK	
				OPTIK-ENTWICKLUNG/ELEKTRONIK/SENSORTECHNIK/SOFTWARE	
		Datei: 951210190130.idw		Blatt A3	
Zust.	Änderungen	Datum	Name	Modell:	Blatt: 1
				951210190130.iam	