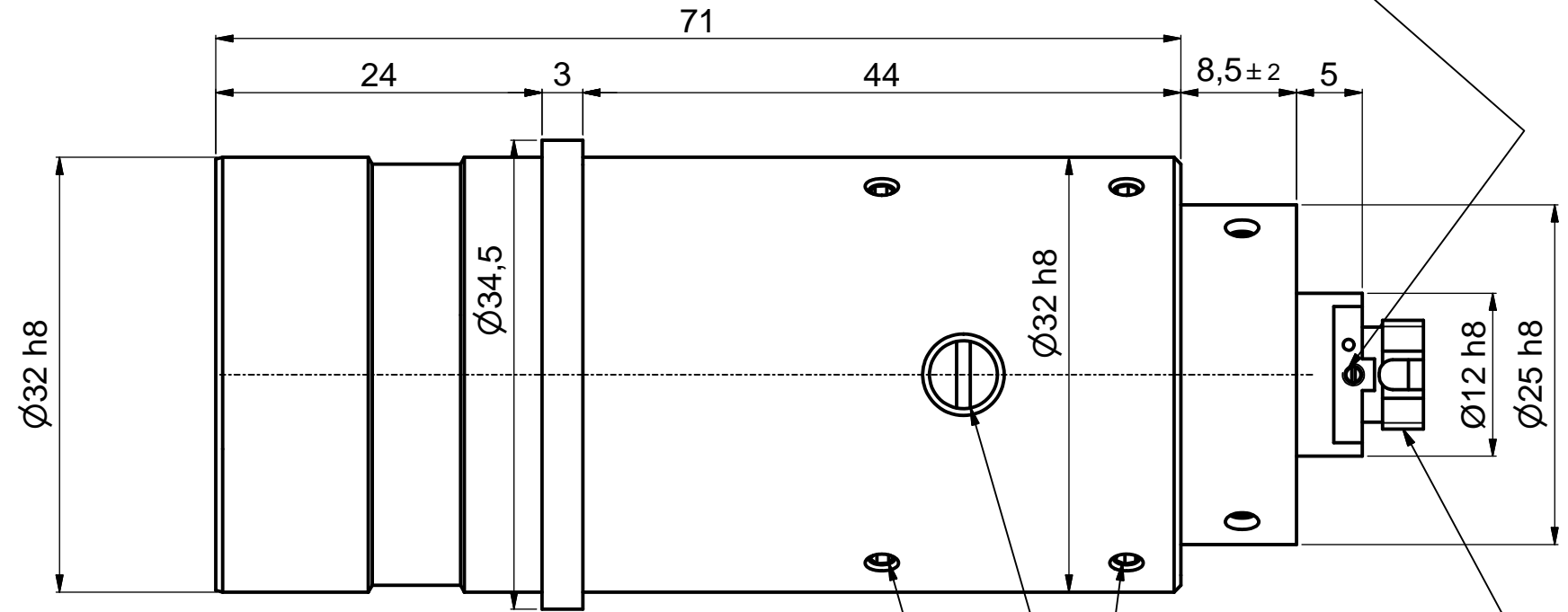


! Pin screw for additional locking of the fiber ferrule:
 - before pulling the FC-connector:
 unlock the pin screw.
 - before inserting the FC-connector:
 make sure the ferrule receptacle is not blocked
 by the pin screw !

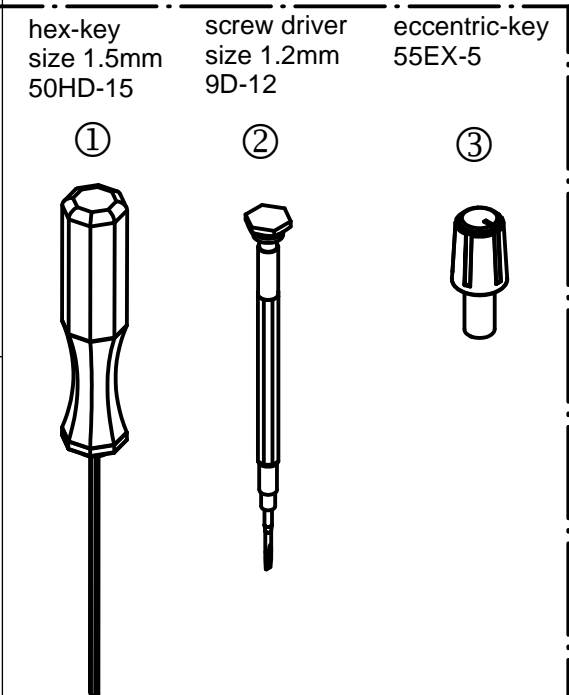


clamp screws for locking optics position (3x120°)
 using hex-key size 1.5mm ①
 50HD-15

adjustment of focus setting
 using eccentric-key 55EX-5 ③

Fiber receptacle
 type FC-PC
 (wide key)

! Don't touch any other screws !



| | | | |
|--|------------|--------------------------|------|
| Allgemeintoleranz ISO 2768 - f | | Maßstab: 2:1 | |
| 60FC-L-0-M75-xx | | Fiber collimator f'75 | |
| Fiber receptacle type FC-PC | | Blatt A3 | |
| Schäfter&Kirchhoff OPTO-SENSORIK UND MESSTECHNIK OPTIK-ENTWICKLUNG-ELEKTRONIK-SENSORTECHNIK-SOFTWARE | | Blatt: 2 | |
| Zust. | Änderungen | Datum | Name |
| Datei: 980241800025.idw | | Modell: 980241800025.iam | |