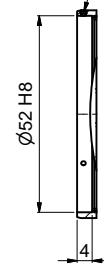
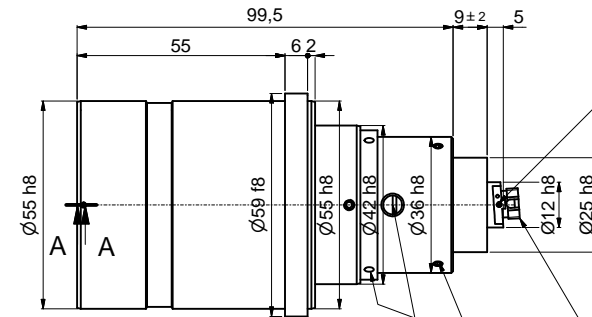


A-A

Clamping screw for locking of lens attachments (3x120°)



! Pin screw for additional locking of the fiber ferrule:  
 - before pulling the FC-connector:  
 unlock the pin screw.  
 - before inserting the FC-connector:  
 make sure the ferrule receptacle is not blocked by the pin screw !



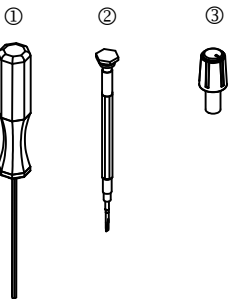
Fiber receptacle type FC-APC

adjustment of focus setting using eccentric-key 55EX-5 ③

Stop screw (2x/3x120°) for locking optics position using hex key 1.5mm 50HD-15 ①

Tools for assembly and adjustment

hex-key size 1.5mm 50HD-15  
 screw driver size 1.2mm 9D-12  
 eccentric-key 55EX-5



! Don't touch any other screws !

		Allgemeintoleranz ISO 2768 - f		Maßstab: 2:1	
		Datum Name		60FC-L-4-M100-xx	
		Bearb. 18.05.2016 Tp		60FC-L-4-M100-xx	
		Gepr.		Fiber receptacle type FC-APC	
		Norm		8902-4150-0018	
		Schäfer&Kirchhoff OPTO-SENSORIK UND MESSTECHNIK		Blatt A2	
		Datei: 980241500018.idw		Blatt: 1	
Zust.	Änderungen	Datum	Name	Model: 980241500018.iam	