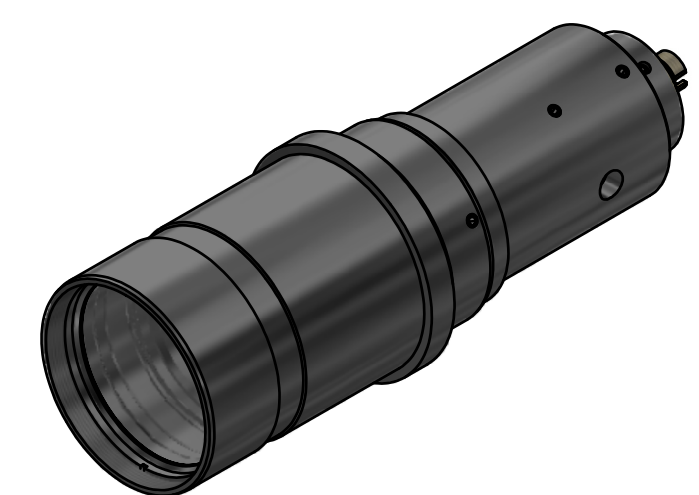
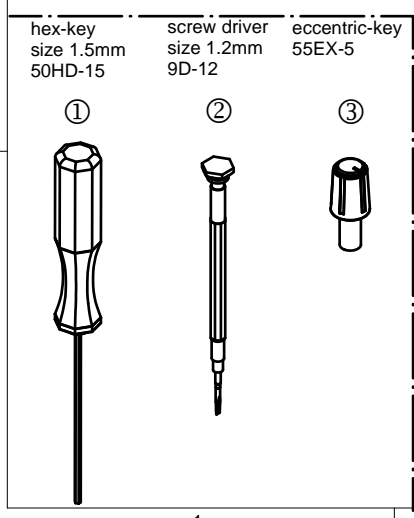


! Pin screw for additional locking of the fiber ferrule:
 - before pulling the FC-connector:
 unlock the pin screw.
 - before inserting the FC-connector:
 make sure the ferrule receptacle is not blocked
 by the pin screw !

clamp screws for locking optics position (3x120°)
 using hex-key size 1.5mm
 50HD-15 ①

adjustment of focus setting
 using eccentric-key 55EX-5 ③

Fiber receptacle
 type FC-APC
 (wide key)



! Don't touch any other screws !

Allgemein-toleranz ISO 2768 - f		Maßstab: 2:1	
Datum		Name	
Bearb.	23.01.2015	60FC-L-4-M125-xx	
Gepr.		Fiber collimator f'125	
Norm		Fiber receptacle type FC-APC	
Schäfter&Kirchhoff OPTO-SENSORIK UND MESSTECHNIK		9802-4180-0029	
Date: 980241800029.idw		Model: 980241800029.iam	
Zust.	Änderungen	Datum	Name