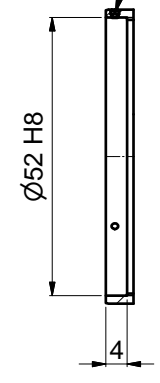


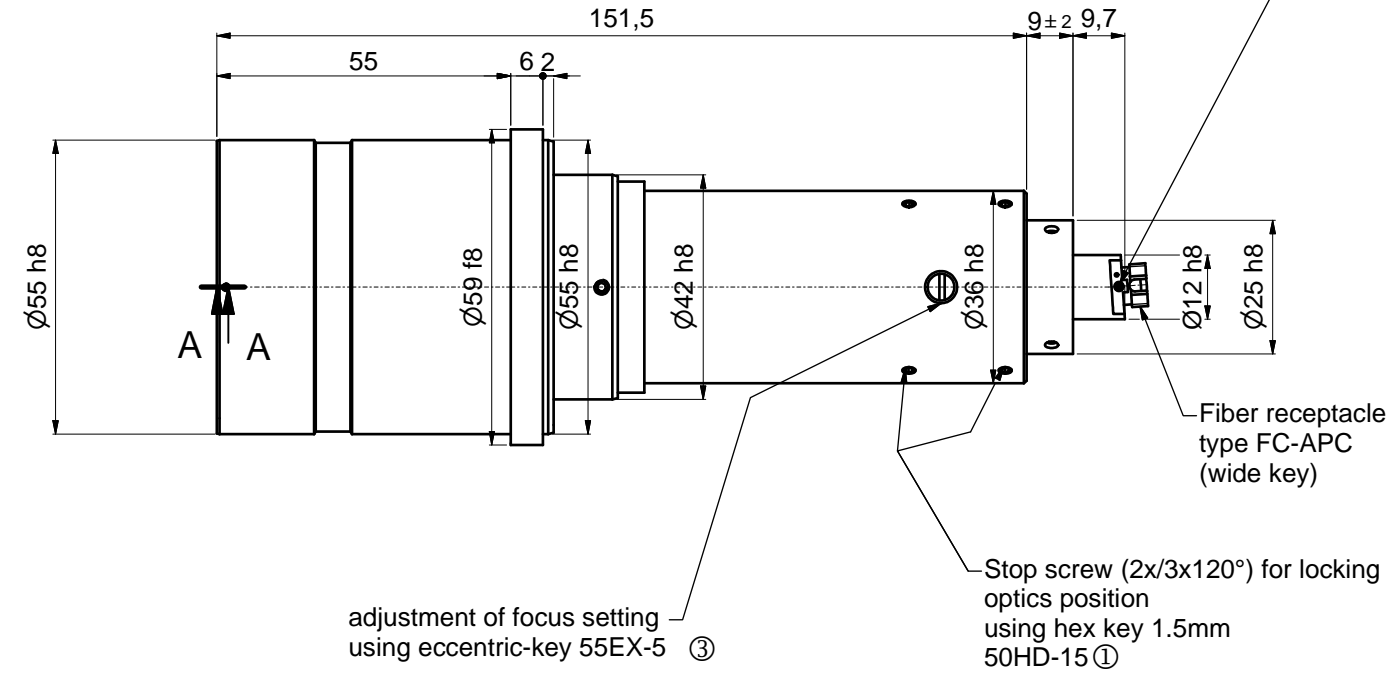
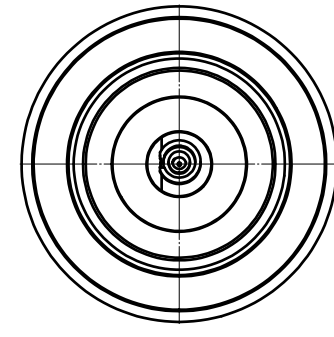


A-A

Clamping screw for locking of lens attachments (3x120°)



! Pin screw for additional locking of the fiber ferrule:
 - before pulling the FC-connector:
 unlock the pin screw.
 - before inserting the FC-connector:
 make sure the ferrule receptacle is not blocked
 by the pin screw !



Tools for assembly and adjustment

hex-key size 1.5mm 50HD-15	screw driver size 1.2mm 9D-12	eccentric-key 55EX-5
----------------------------------	-------------------------------------	-------------------------

! Don't touch any other screws !

Allgemein-toleranz ISO 2768 - f		Maßstab: 2:1	
Datum		Name	
Bearb.	18.05.2016	Gepr.	
60FC-L-4-M150-xx		Fiber receptacle type FC-APC	
Schäfer&Kirchhoff OPTO-SENSORIK UND MESSTECHNIK		9802-4150-0023	
Date: 980241500023.idw		Model: 980241500023.iam	
Zust.	Änderungen	Datum	Name