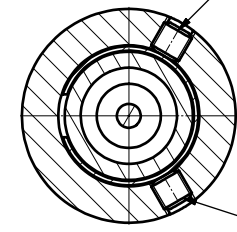
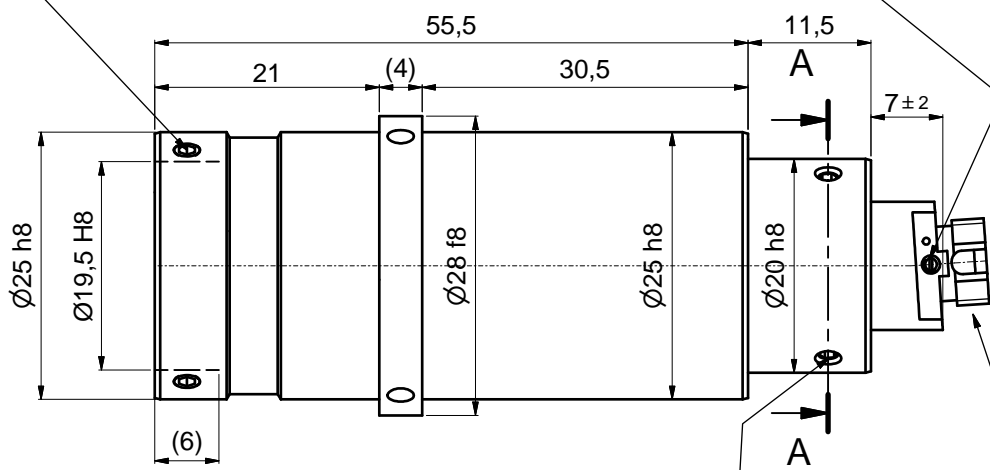
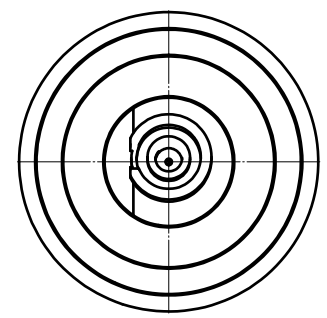


A-A

clamp screws for locking of lens attachments (3x120°) screws not included

! Pin screw for additional locking of the fiber ferrule:
 - before pulling the FC-connector:
 unlock the pin screw.
 - before inserting the FC-connector:
 make sure the ferrule receptacle is not blocked by the pin screw !

clamp screws for locking focus setting (2x120°) using hex-key size 1.5mm 50HD-15 ①

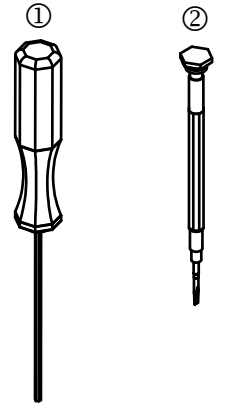


clamp screws for locking focus setting (2x120°) using hex-key size 1.5mm 50HD-15 ①

Fiber receptacle type FC-APC (wide key)

Tools for assembly and adjustment

hex-key size 1.5mm 50HD-15
 screw driver size 1.2mm 9D-12



! Don't touch any other screws !

| | | | |
|---|------------|-----------------------|------|
| Allgemeintoleranz ISO 2768 - f | | Maßstab: 2:1 | |
| 70FC-L-4-M60-xx | | Fiber Collimator f'60 | |
| Fiber receptacle type FC-APC | | 9512-1019-0132 | |
| Schäfter&Kirchhoff OPTO-SENSORIK UND MESSTECHNIK | | Blatt A3 | |
| Datei: 951210190132.idw | | Blatt 1 | |
| Zust. | Änderungen | Datum | Name |
| | | 17.10.2016 | TP |
| Model: 951210190132.iam | | | |