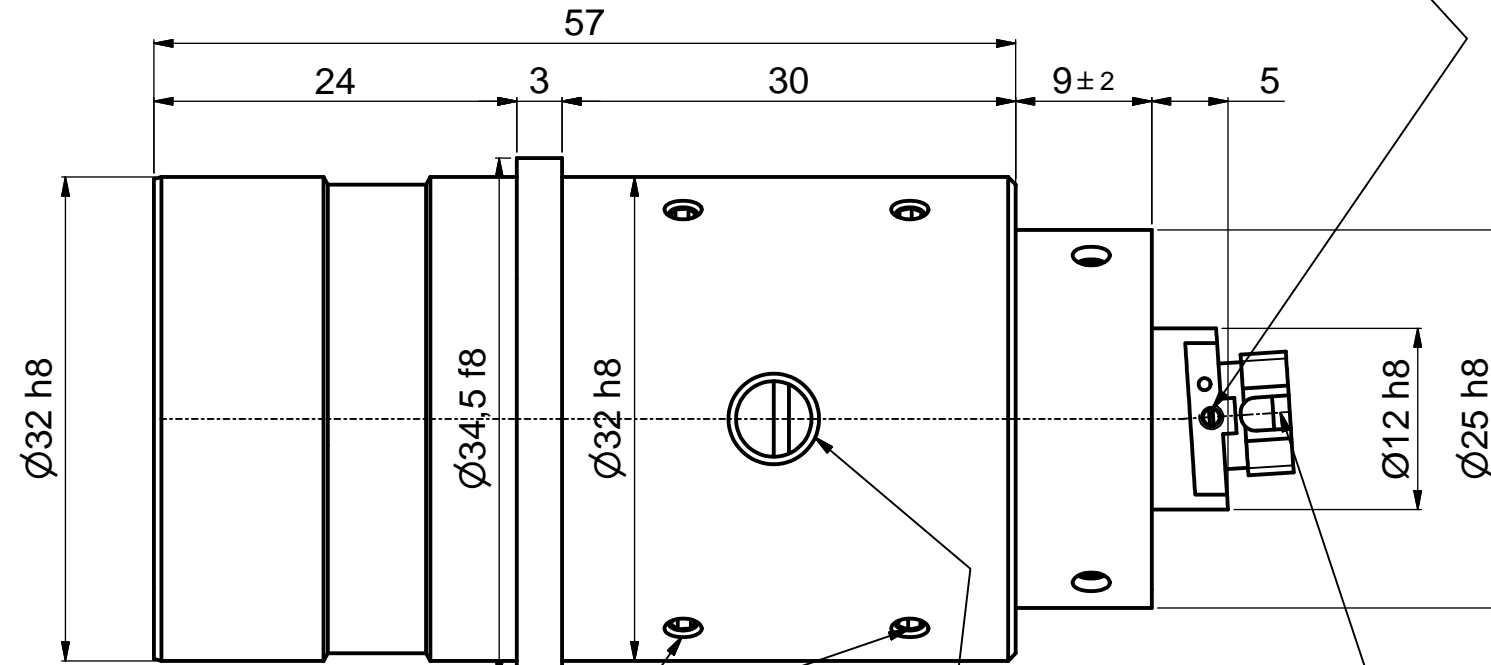


! Pin screw for additional locking of the fiber ferrule:
 - before pulling the FC-connector:
 unlock the pin screw.
 - before inserting the FC-connector:
 make sure the ferrule receptacle is not blocked
 by the pin screw !

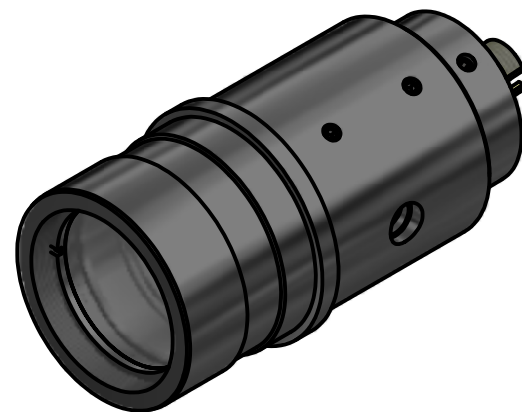
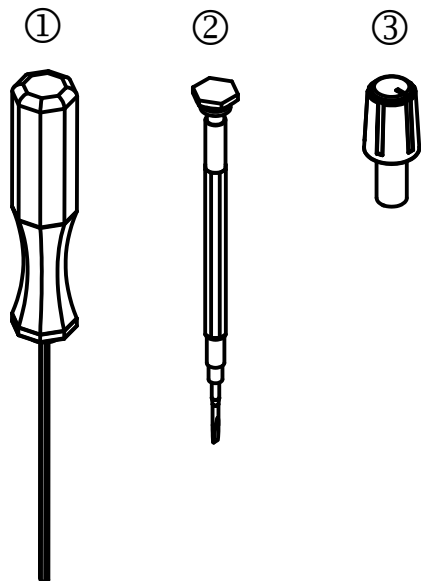


clamp screws for locking optics position (3x120°)
 using hex-key size 1.5mm
 50HD-15 ①

Fiber receptacle
 type FC-APC
 (wide key)

adjustment of focus setting
 using eccentric-key 55EX-5 ③

hex-key size 1.5mm 50HD-15 ①
 screw driver size 1.2mm 9D-12 ②
 eccentric-key 55EX-5 ③



! Don't touch any other screws !

Allgemeintoleranz ISO 2768 - f		Maßstab: 2:1
60FC-L-4-M60L-xx		
Datum		Name
Bearb.	01.03.2017	Tp
Gepr.		
Norm		
Schäfter&Kirchhoff		
OPTO-SENSORIK UND MESSTECHNIK		
OPTIK-ENTWICKLUNG/ELEKTRONIK/SENSORTECHNIK/SOFTWARE		
Datei: 980241888200.idw		Blatt A3
Zust. Änderungen Datum Name		Blatt: 2
Datei: 980241888200.idw		Modell: 980241888200.iam

Fiber collimator f'60

Fiber receptacle type FC-APC

9802-4188-8200

Modell: 980241888200.iam