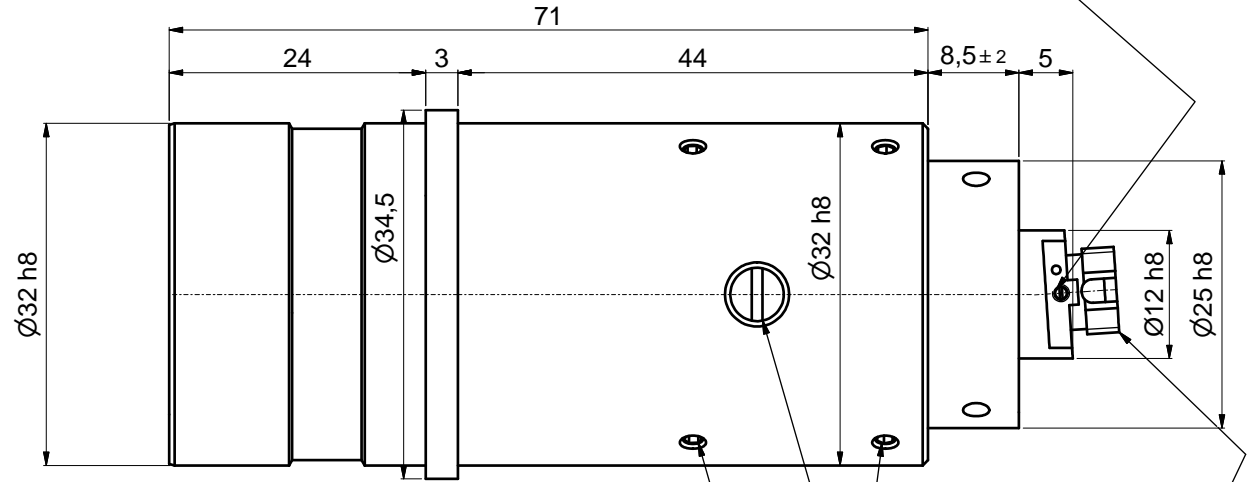


! Pin screw for additional locking of the fiber ferrule:
 - before pulling the FC-connector:
 unlock the pin screw.
 - before inserting the FC-connector:
 make sure the ferrule receptacle is not blocked
 by the pin screw !



clamp screws for locking optics position (3x120°)
 using hex-key size 1.5mm ①
 50HD-15

adjustment of focus setting
 using eccentric-key 55EX-5 ③

Fiber receptacle
 type FC-APC

hex-key
 size 1.5mm
 50HD-15

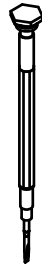
screw driver
 size 1.2mm
 9D-12

eccentric-key
 55EX-5

①

②

③



! Don't touch any other screws !

Allgemein- toleranz ISO 2768 - f		Maßstab: 2:1	
Bearb. 09.03.2015		60FC-L-4-M75-xx	
Gepr. _____		Fiber collimator f'75	
Norm _____		Fiber receptacle type FC-APC	
Schäfter&Kirchhoff OPTO-SENSORIK UND MESSTECHNIK		9802-4180-0024	
Datei: 980241800024.idw		Blatt A3	
Zust. _____		Blatt 2	
Änderungen _____		Modell: 980241800024.iam	
Datum _____			
Name _____			