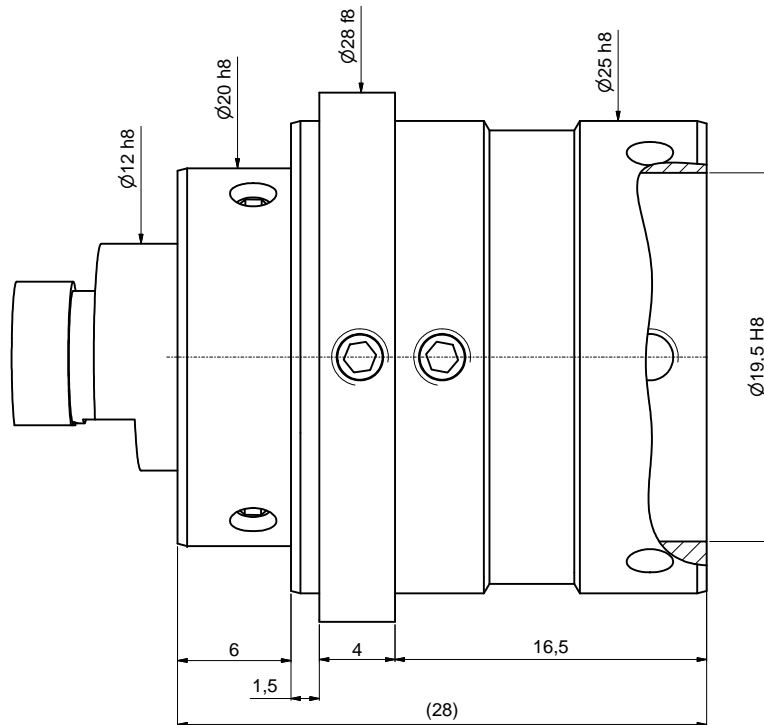
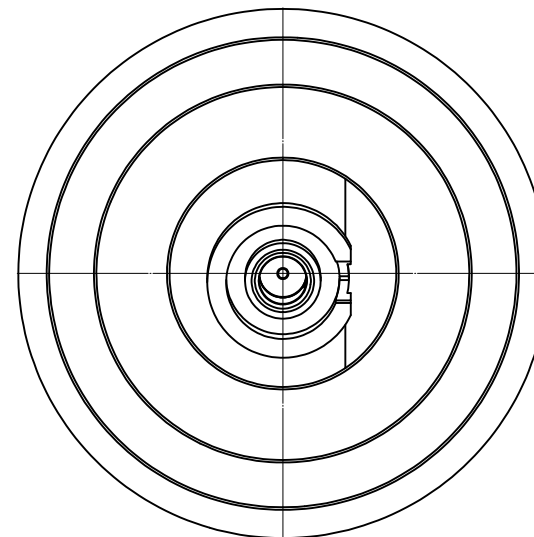
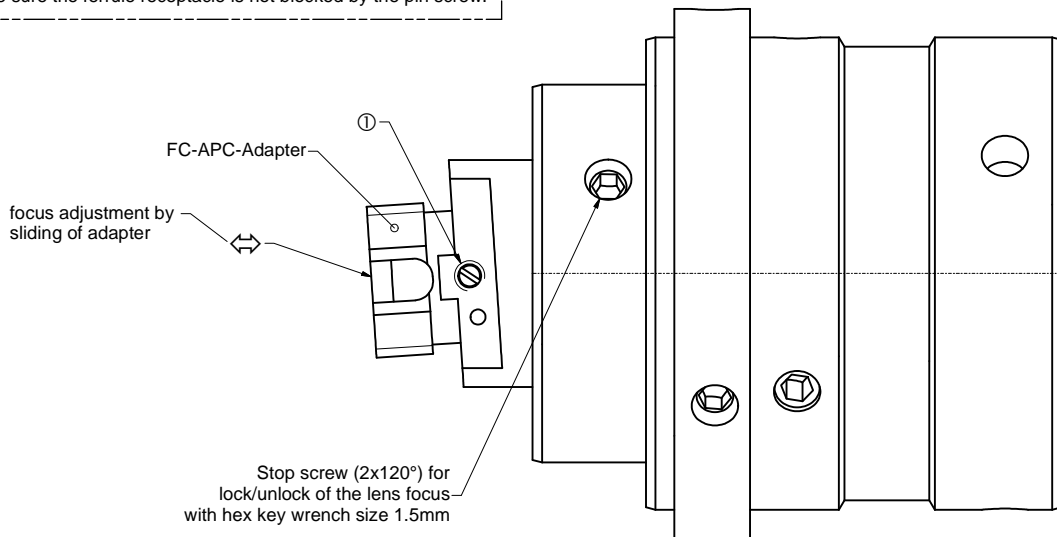


- ① Pin screw for additional locking of the fiber ferrule.
- before pulling the FC connector:
unlock the pin screw.
 - before inserting the FC connector:
make sure the ferrule receptacle is not blocked by the pin screw.

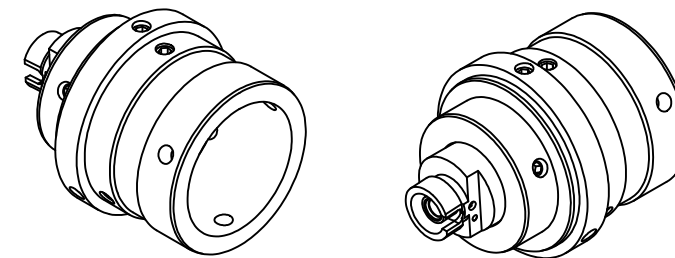
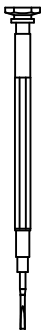


Tools for assembly and adjustment

Hex key wrench
size 1.5mm
50HD-15



screw driver
size 1.2mm
9D-12



		Allgemeintoleranz ISO 2768 - f		Maßstab: 5:1	
		Datum 22.01.2015		Name Boyn	
		Gepr.		Fiber collimator	
		Norm		60FC-L-4-RGBV11-47	
		Schäfer&Kirchhoff OPTO-SENSORIK UND MESSTECHNIK		9512-1500-0300	
		Datei: 951215000300.idw		Blatt A2	
Zust.		Änderungen		Blatt: 1	
		Datum		Model: 951215000300.iam	