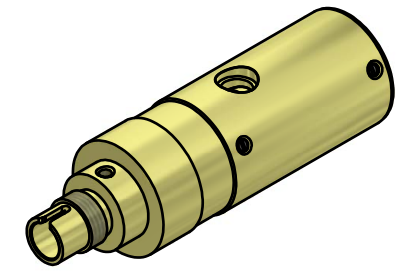
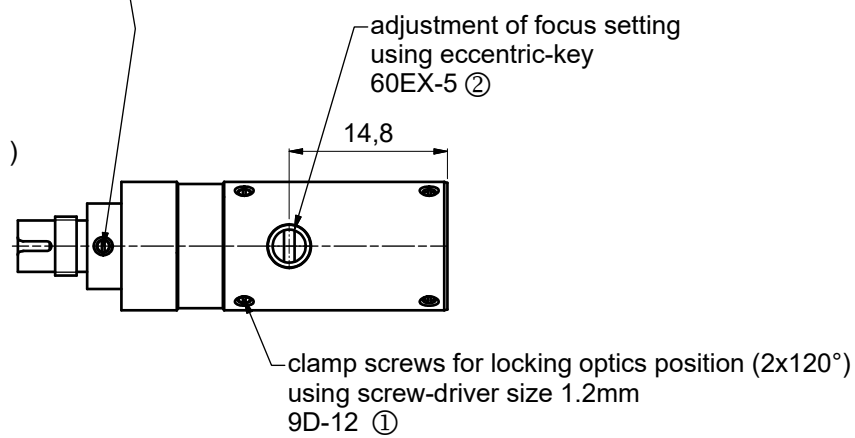


! Pin screw for additional locking of the fiber ferrule:
 - before pulling the connector:
 unlock the pin screw.
 -before inserting the connector:
 make sure the ferrule is not blocked by the pin screw!
 (using screw-driver size 1.2mm 9D-12 ①)



! Don't touch any other screws !

For information only
 Not for manufacturing purposes

Tools for assembly and adjustment

screw driver size 1.2mm 9D-12 ①

eccentric-key 60EX-5 ②

Dimensions DIN EN ISO 14405					Scale: 2:1	
				Date	Name	60FC-LSA-0-XX-xx
				09.02.2021	A. Trapp	Fiber collimator f' 15 to 20 mm
				editor		60FC-LSA-0-XX-xx
				exam.		Customer Drawing
				free		
				Schäfter+Kirchhoff OPTICS, METROLOGY, AND PHOTONICS		9709-2052-0615
						Size: A3
						Page: 1
				File: 970920520615.idw	Model: 970920520615.iam	