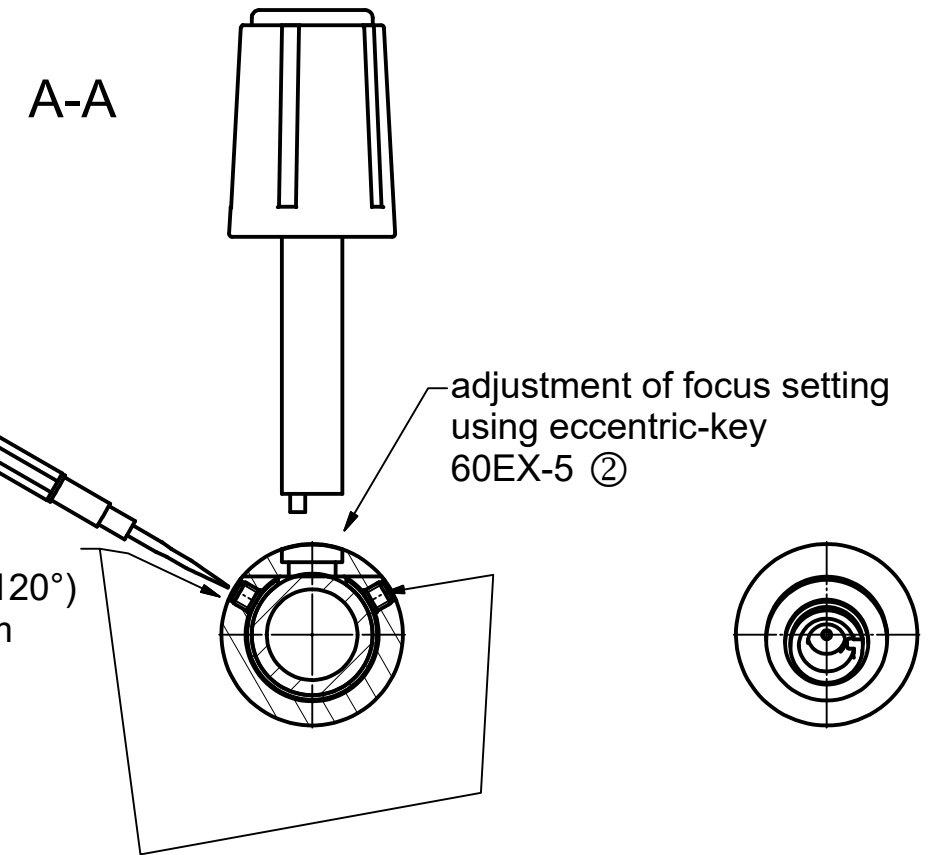
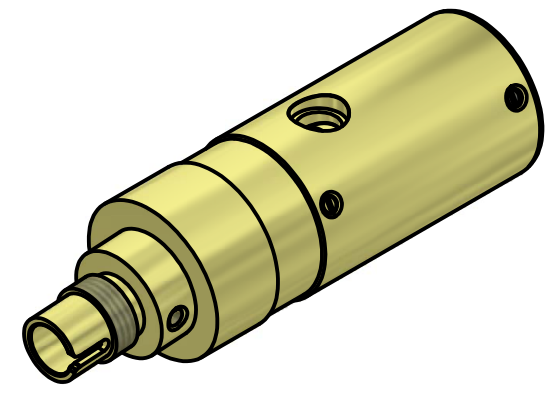
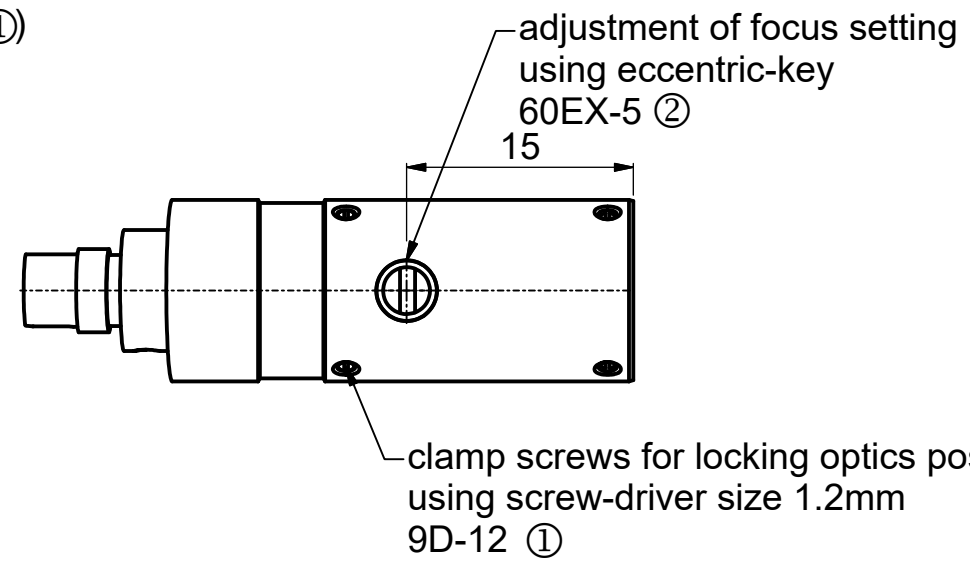


clamp screws
for locking optics position (2x120°)
using screw-driver size 1.2mm
9D-12 ①

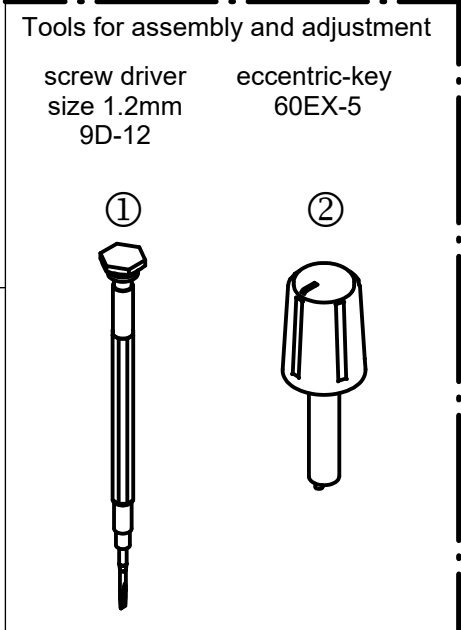


! Pin screw for additional locking of the fiber ferrule:
- before pulling the connector:
unlock the pin screw.
-before inserting the connector:
make sure the ferrule is not blocked
by the pin screw !
(using screw-driver size 1.2mm 9D-12 ①)



! Don't touch any other screws !

For information only
Not for manufacturing purposes



Dimensions DIN EN ISO 14405	Scale: 2:1		60FC-LSA-4-XX-xx-L
	Fiber collimator f' 15 to 20 mm		
Date		Name	
editor 09.02.2021		A.Trapp	
exam.			
free			
Schäfter+Kirchhoff OPTICS, METROLOGY, AND PHOTONICS GmbH		9709-2052-0612	
File: 970920520612.idw		Model: 970920520612.iam	
			Size: A3 Page: 1