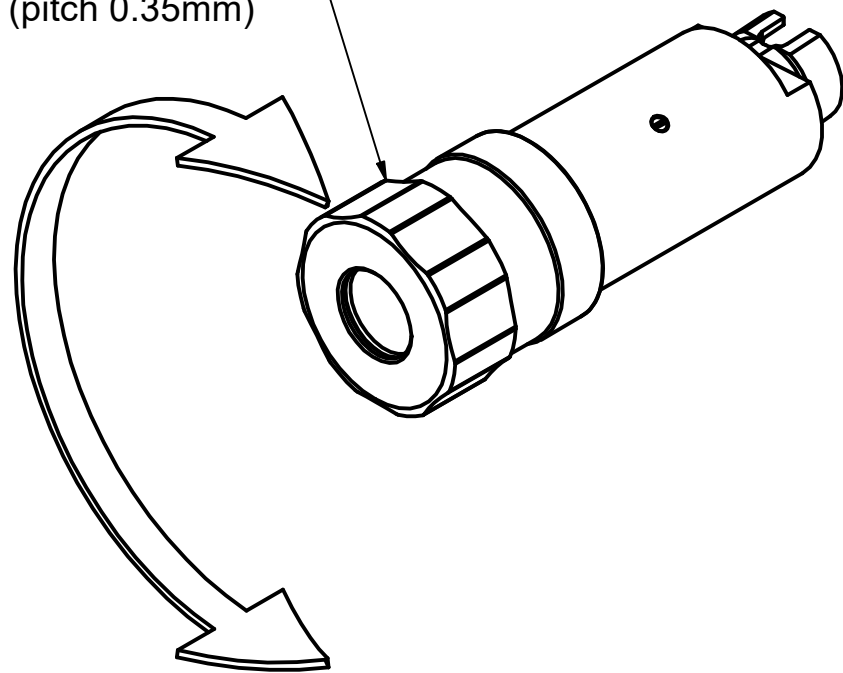
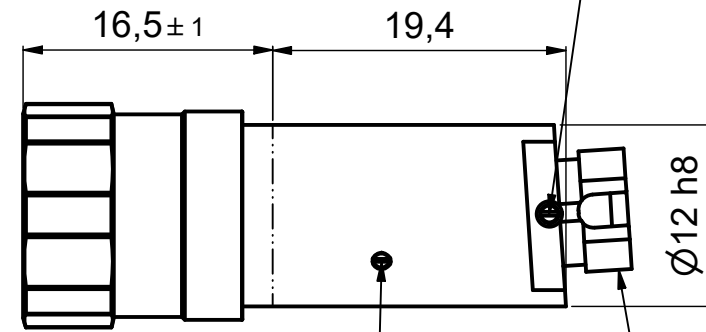


rotate fluted ring  
for focus setting  
(pitch 0.35mm)



designated area for  
fixation or mounting

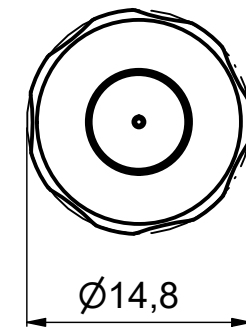


Do not touch!

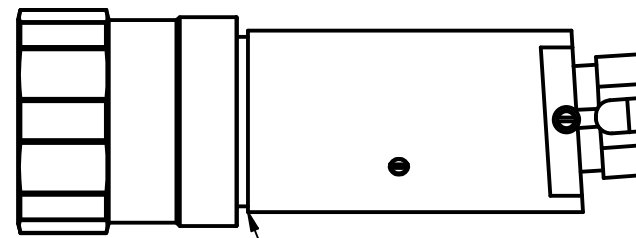
Pin screw for additional locking of the fiber ferrule:

- before pulling the FC-connector:  
unlock the pin screw with screw driver 9D-12 ①
- before inserting the FC-connector:  
make sure the ferrule receptacle  
is not blocked by the pin screw

Fiber receptacle  
type FC-APC  
(wide key)

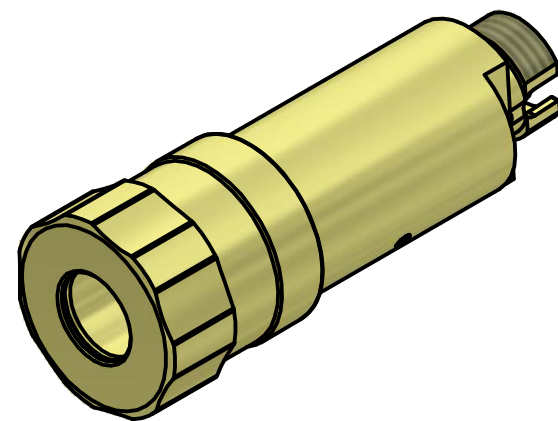


stop further turning  
if you see gap



Tools for assembly  
and adjustment

screw driver  
size 1.2mm  
9D-12 ①



For information only  
Not for manufacturing purposes

Dimensions DIN EN ISO 14405		Scale: 2:1		60FC-SF-4-xx	
		Date		Name	
		editor 20.02.2020		Lamott	
		exam.			
		free			
				Fiber collimator with fine focus	
				60FC-SF-4-xx f'4.5-18mm	
				Customer Drawing	
				9709-2002-0483	
				File: 970920020483.idw	
				Model: 970920020483.iam	
				Size: A3	
				Page: 1	