

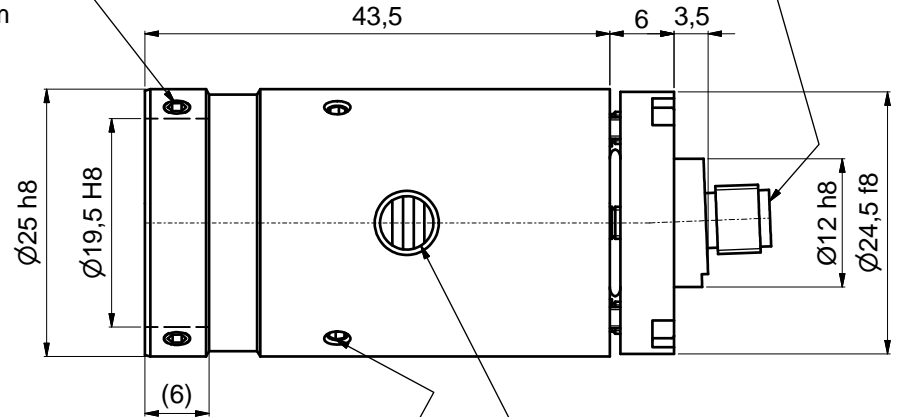
Thrust and tension screw (3x120°)
for tilt adjustment
with hex key wrench size 1.5mm
50HD-15 ①

clamp screws
for accessory optics (3x120°)
using hex-key size 1.5mm
50HD-15 ①

Fiber receptacle
type FC-SMA-905
High Power Connector (8° polish)

Thrust screw M3 max.torque 50Ncm

Tension screw M2 max.torque 40Ncm



clamp screws for locking optics position (2x120°)
using hex-key size 1.5mm
50HD-15 ①

adjustment of focus setting
using eccentric-key 55EX-5 ②

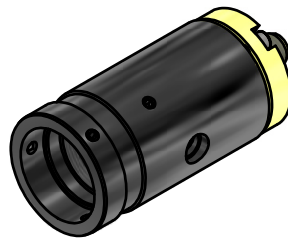
Tools for assembly and adjustment

hex-key
size 1.5mm
50HD-15

eccentric-key
55EX-5

①

②



! Don't touch any other screws !

Allgemeintoleranz ISO 2768 - f		Maßstab: 2:1	
Bearb. 11.07.2017		60FC-T-4-M30-xx 60FC-T-4-M35-xx 60FC-T-4-M40-01/02/03/04	
Gepr.		Fiber collimator f'30-40mm	
Norm		Fiber receptacle type FC-SMA-905 High Power Connector (8° polish)	
Datum		Name	
Schäfter&Kirchhoff		Blatt A3	
OPTO-SENSORIK UND MESSTECHNIK		9803-1223-6500	
OPTIK-ENTWICKLUNG/ELEKTRONIK/SENSORTECHNIK/SOFTWARE		Blatt 2	
Zust.	Änderungen	Datum	Name
Datei: 980312236500.idw		Modell: 980312236500.iam	