

Thrust and tension screw (3x120°)  
for tilt adjustment  
with hex key wrench size 1.5mm  
50HD-15 ①

clamp screws  
for accessory optics (3x120°)  
using hex-key size 1.5mm  
50HD-15 ①

Fiber receptacle  
type FC-SMA-905  
High Power Connector (8° polish)

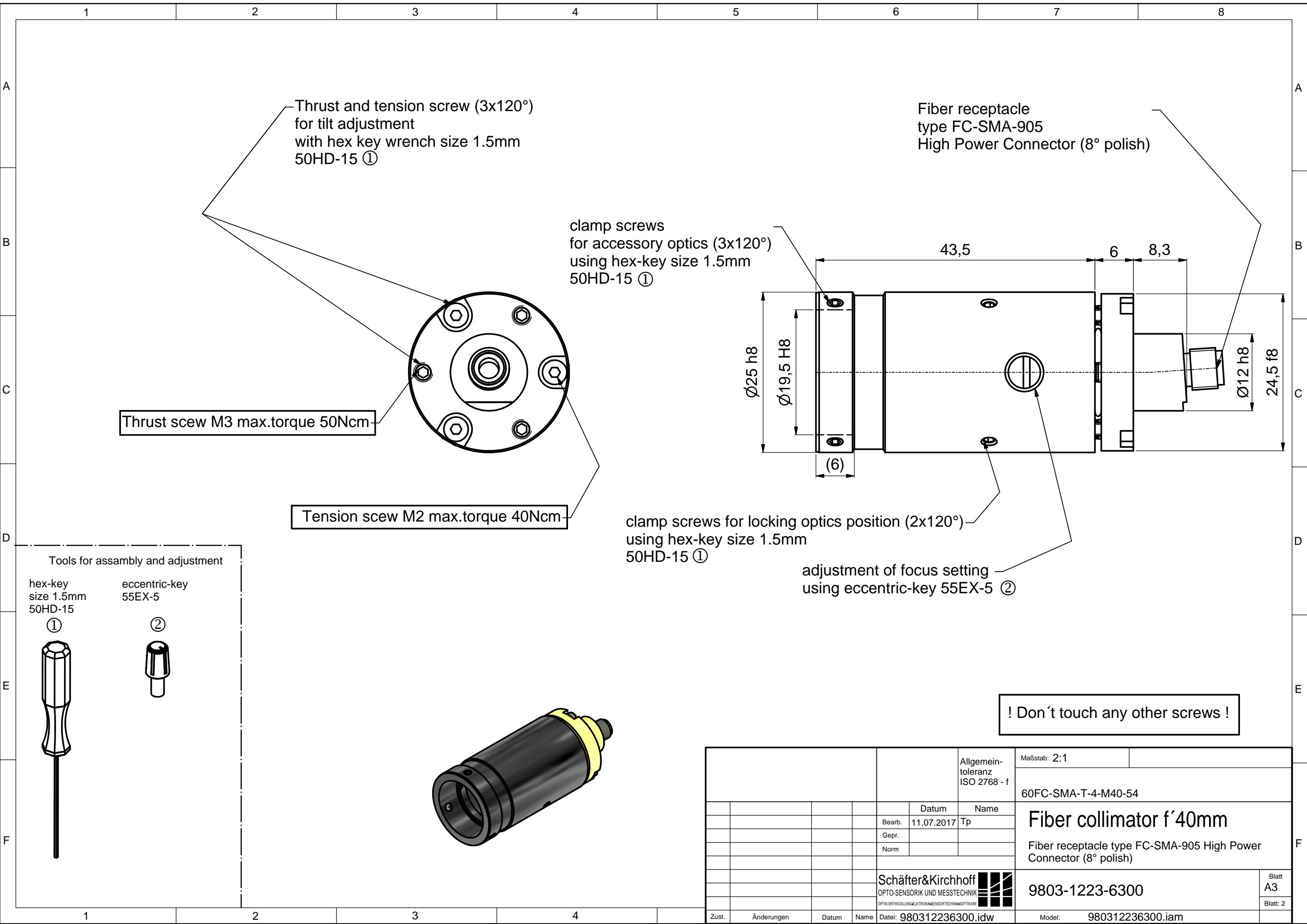
Thrust sciew M3 max.torque 50Ncm

Tension sciew M2 max.torque 40Ncm

clamp screws for locking optics position (2x120°)  
using hex-key size 1.5mm  
50HD-15 ①

adjustment of focus setting  
using eccentric-key 55EX-5 ②

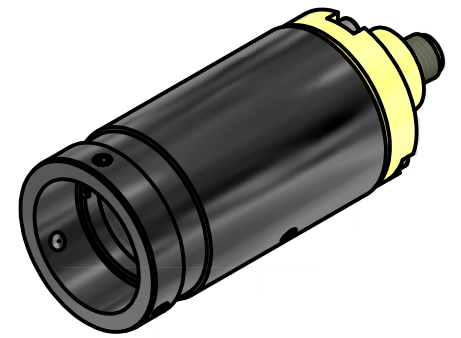
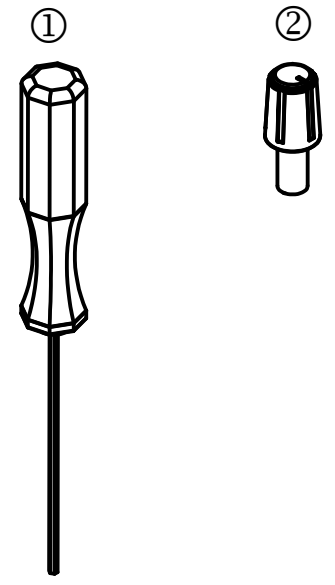
! Don't touch any other screws !



Tools for assambly and adjustment

hex-key  
size 1.5mm  
50HD-15

eccentric-key  
55EX-5



		Allgemein- toleranz ISO 2768 - f		Maßstab: 2:1	
				60FC-SMA-T-4-M40-54	
		Datum		Name	
		11.07.2017		Tp	
		Gepr.			
		Norm			
				Fiber collimator f'40mm	
				Fiber receptacle type FC-SMA-905 High Power Connector (8° polish)	
		Schäfter&Kirchhoff		Blatt A3	
		OPTO-SENSORIK UND MESSTECHNIK		9803-1223-6300	
		OPTIK-ENTWICKLUNG/ELEKTRONIK/SENSORTECHNIK/SOFTWARE		Blatt: 2	
Zust.	Änderungen	Datum	Name	Datei: 980312236300.idw	Model: 980312236300.iam