

A

B

C

D

E

F

A

B

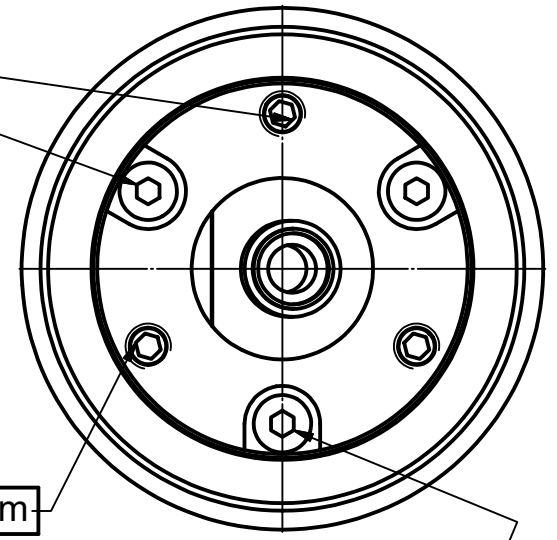
C

D

E

F

Thrust and tension screw (3x120°)
for tilt adjustment
with hex key wrench size 1.5mm
50HD-15 ①
for accessory optics



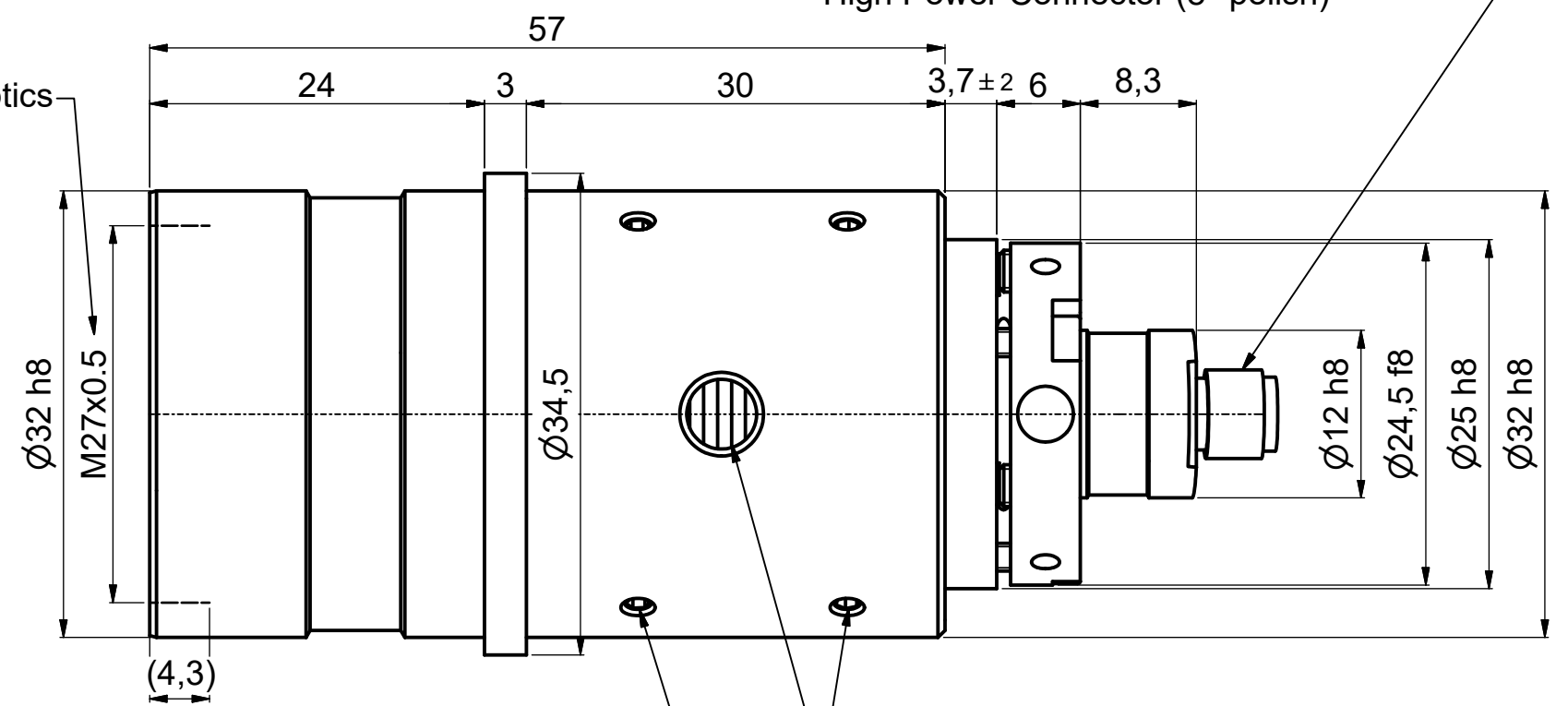
Thrust screw M3 max.torque 50Ncm

Tension screw M2 max.torque 40Ncm

clamp screws for locking optics position (2x3x120°)
using hex-key size 1.5mm
50HD-15 ①

adjustment of focus setting
using eccentric-key 55EX-5 ②

Fiber receptacle
type FC-SMA-905
High Power Connector (8° polish)



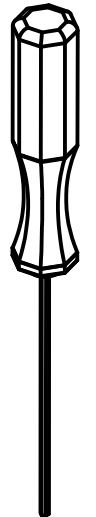
Tools for assambly and adjustment

hex-key
size 1.5mm
50HD-15

eccentric-key
55EX-5

①

②



! Don't touch any other screws !

| | | | | | |
|-------|------------|---|------|--|-------------------------|
| | | Allgemein- toleranz ISO 2768 - f | | Maßstab: 2:1 | |
| | | | | 60FC-SMA-T-4-M60L-xx | |
| | | Datum | | Name | |
| | | Bearb. 21.12.2022 | | Tp | |
| | | Gepr. | | | |
| | | Norm | | | |
| | | | | Fiber collimator f'60mm | |
| | | | | Fiber receptacle type FC-SMA-905 High Power Connector (8° polish) | |
| | | Schäfter&Kirchhoff | | Blatt A3 | |
| | | OPTO-SENSORIK UND MESSTECHNIK | | 9802-4186-6800 | |
| | | OPTIK-ENTWICKLUNG/ELEKTRONIK/SENSORTECHNIK/SOFTWARE | | Blatt: 2 | |
| Zust. | Änderungen | Datum | Name | Datei: 980241866800.idw | Model: 980241866800.iam |