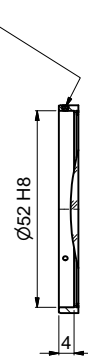




Clamping screw for locking of lens attachments (3x120°)

A-A

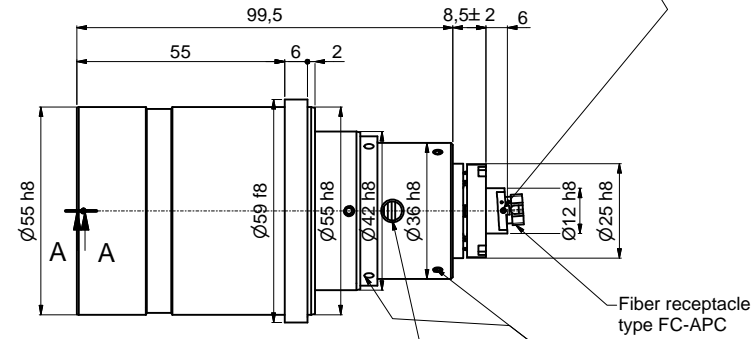
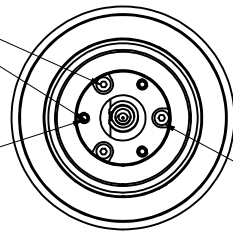


! Pin screw for additional locking of the fiber ferrule:
 - before pulling the FC-connector:
 unlock the pin screw.
 - before inserting the FC-connector:
 make sure the ferrule receptacle is not blocked
 by the pin screw !

Thrust and tension screw (3x120°)
 for tilt adjustment
 with hex key wrench size 1.5mm
 50HD-15 ①

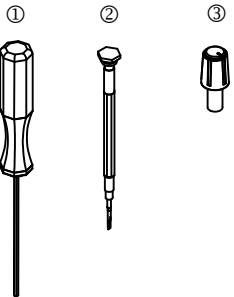
Thrust screw M3 max.torque 50Ncm

Tension screw M2 max.torque 40Ncm



Tools for assembly and adjustment

hex-key size 1.5mm 50HD-15
 screw driver size 1.2mm 9D-12
 eccentric-key 55EX-5



! Don't touch any other screws !

Allgemeintoleranz ISO 2768 - f		Maßstab: 2:1	
60FC-T-4-M100-xx		60FC-T-4-M100-xx	
Datum 18.05.2016		Name A.Trapp	
Gepr.		Norm	
Schäfer&Kirchhoff		9802-4150-0014	
OPTO-SENSÖRİK UND MESSTECHNIK		Blatt A2	
Date: 980241500014.idw		Blatt: 1	
Zust.	Änderungen	Datum	Name
Model: 980241500014.iam			