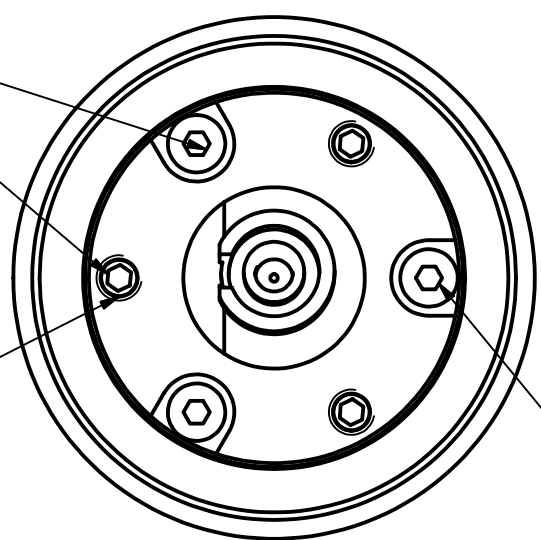


A

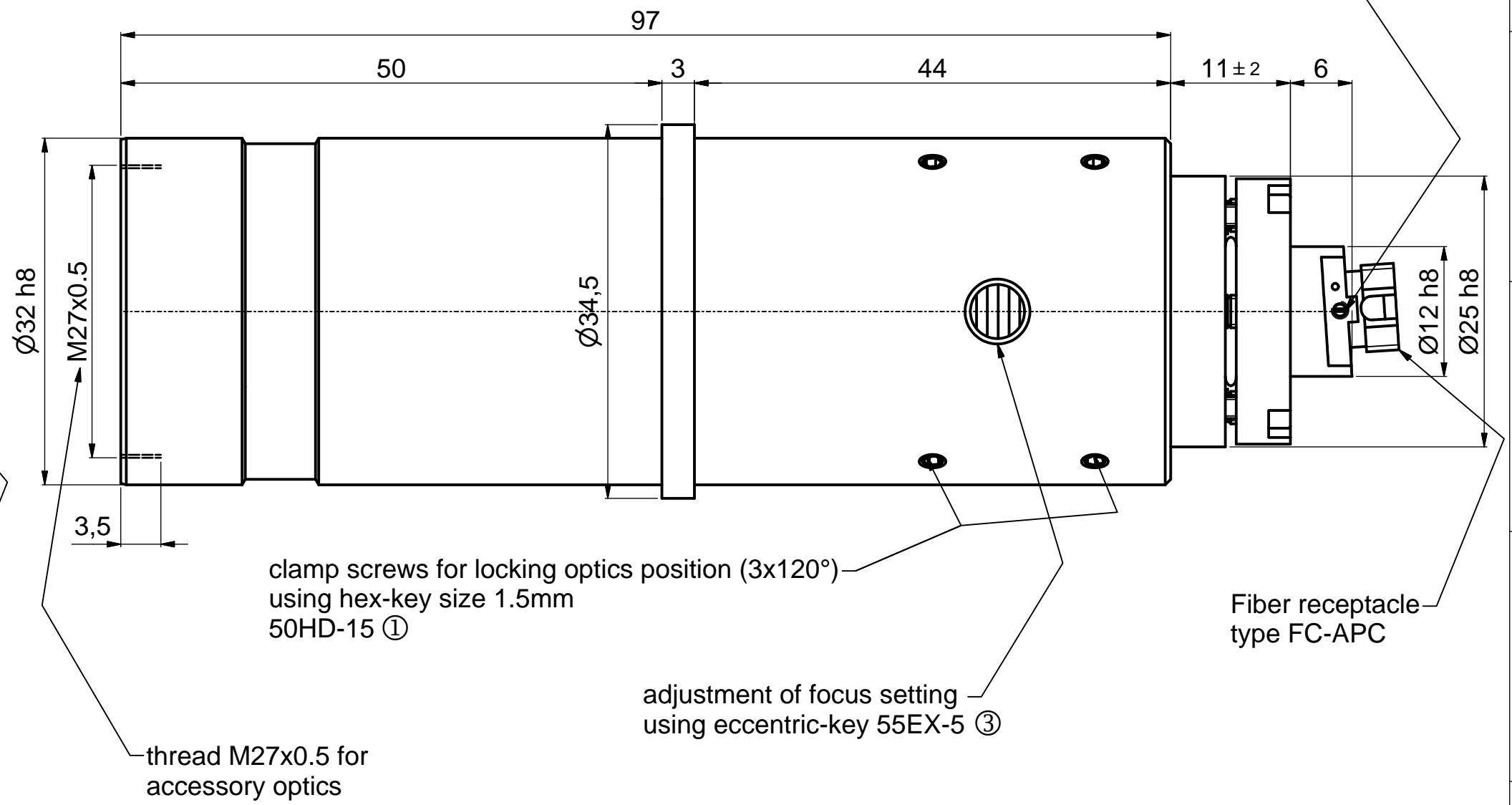
! Pin screw for additional locking of the fiber ferrule:  
 - before pulling the FC-connector:  
 unlock the pin screw.  
 - before inserting the FC-connector:  
 make sure the ferrule receptacle is not blocked  
 by the pin screw !

Thrust and tension screw (3x120°)  
 for tilt adjustment  
 with hex key wrench size 1.5mm  
 50HD-15 ①

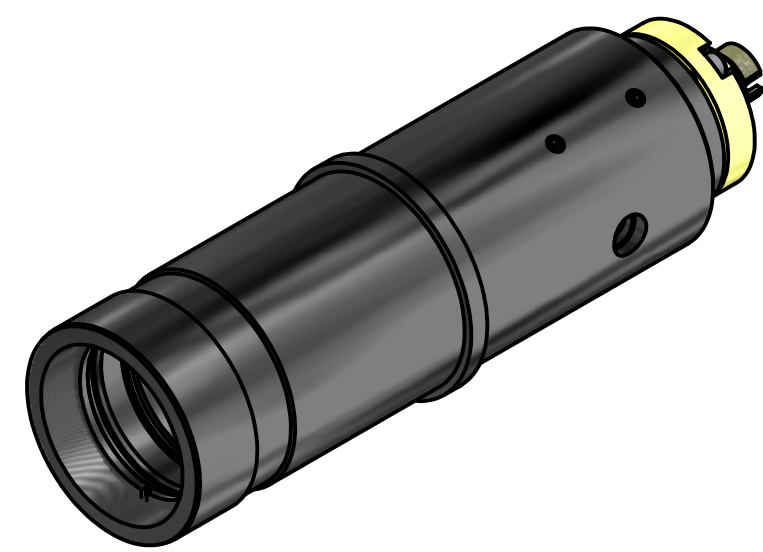
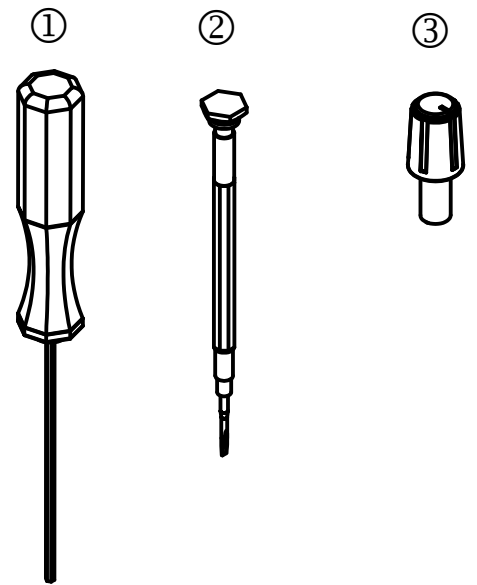


Thrust screw M3 max.torque 50Ncm

Tension screw M2 max.torque 40Ncm



hex-key size 1.5mm 50HD-15 ①  
 screw driver size 1.2mm 9D-12 ②  
 eccentric-key 55EX-5 ③



! Don't touch any other screws !

Allgemeintoleranz ISO 2768 - f		Maßstab: 2:1	
Bearb. 09.03.2015		60FC-T-4-M100S-xx	
Gepr.		Datum Name	
Norm		Tp	
Schäfter&Kirchhoff		Fiber collimator f'100mm	
OPTO-SENSORIK UND MESSTECHNIK		Fiber receptacle type FC-APC	
OPTIK-ENTWICKLUNG/ELEKTRONIK/SENSORTECHNIK/SOFTWARE		9802-4186-1600	
Zust.	Änderungen	Datum	Name
Datei: 980241861600.idw		Modell: 980241861600.iam	
		Blatt A3	
		Blatt: 2	