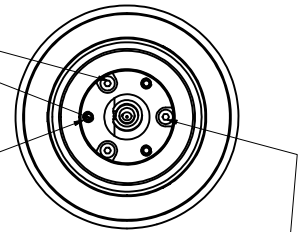


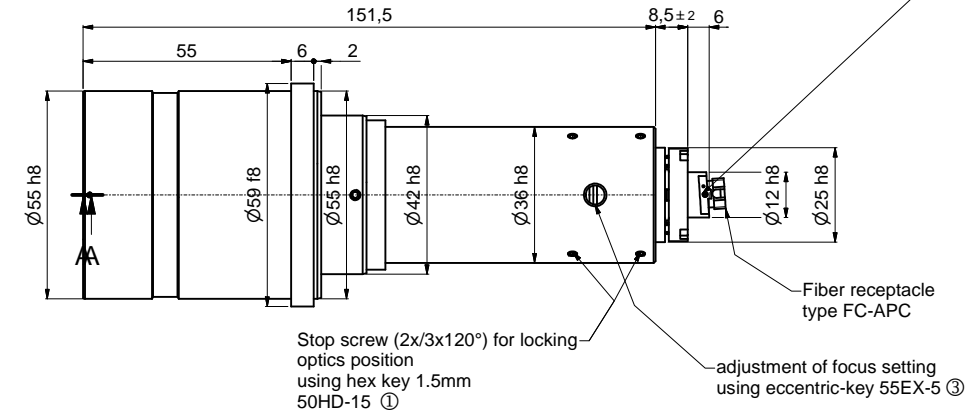
Thrust and tension screw (3x120°) for tilt adjustment with hex key wrench size 1.5mm 50HD-15 ①



Thrust screw M3 max.torque 50Ncm

Tension screw M2 max.torque 40Ncm

! Pin screw for additional locking of the fiber ferrule:
- before pulling the FC-connector: unlock the pin screw.
- before inserting the FC-connector: make sure the ferrule receptacle is not blocked by the pin screw !



Tools for assembly and adjustment

hex-key size 1.5mm 50HD-15	screw driver size 1.2mm 9D-12	eccentric-key 55EX-5
----------------------------	-------------------------------	----------------------

① ② ③

! Don't touch any other screws !

Allgemeintoleranz ISO 2768 - f		Maßstab: 2:1	
Datum 18.05.2016		Name A.Trapp	
60FC-T-4-M150-xx			
60FC-T-4-M150-xx			
Fiber receptacle type FC-APC			
Schäfer&Kirchhoff		8902-4150-0012	
OPTO-SENSORIK UND MESSTECHNIK			
Zust.	Änderungen	Datum	Name
		Datei: 980241500012.idw	Model: 980241500012.iam