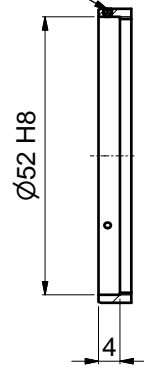




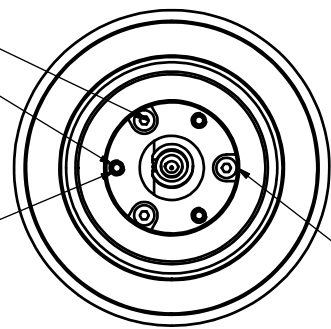
Clamping screw for locking of lens attachments (3x120°)

A-A



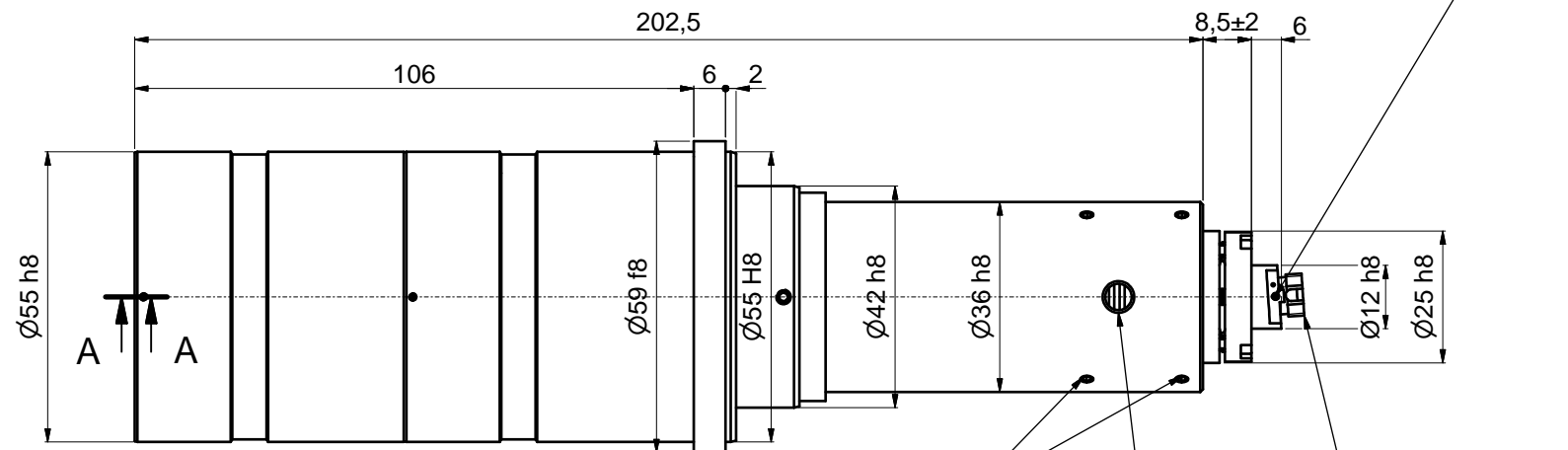
! Pin screw for additional locking of the fiber ferrule:
 - before pulling the FC-connector:
 unlock the pin screw.
 - before inserting the FC-connector:
 make sure the ferrule receptacle is not blocked by the pin screw !

Thrust and tension screw (3x120°)
 for tilt adjustment
 with hex key wrench size 1.5mm
 50HD-15 ①



Thrust screw M3 max.torque 50Ncm

Tension screw M2 max.torque 40Ncm

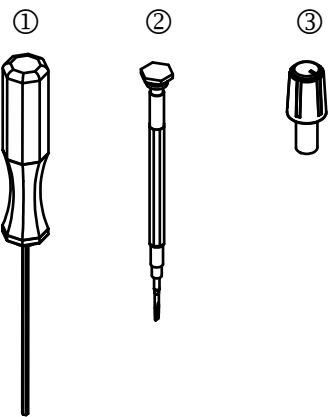


Stop screw (2x/3x120°) for locking optics position using hex key 1.5mm 50HD-15 ①

! Don't touch any other screws !

Tools for assembly and adjustment

hex-key size 1.5mm 50HD-15 screw driver size 1.2mm 9D-12 eccentric-key 55EX-5



		Allgemeintoleranz ISO 2768 - f		Maßstab: 2:1	
		Datum Name		60FC-T-4-M200-xx	
		Bearb. 08.09.2016 Tp		60FC-T-4-M200-xx	
		Gepr.		Fiber receptacle type FC-APC	
		Norm		9802-4150-0020	
		Schäfter&Kirchhoff OPTO-SENSORIK UND MESSTECHNIK		Blatt A2	
		Date: 980241500020.idw		Blatt: 1	
Zust.	Änderungen	Datum	Name	Model:	980241500020.iam