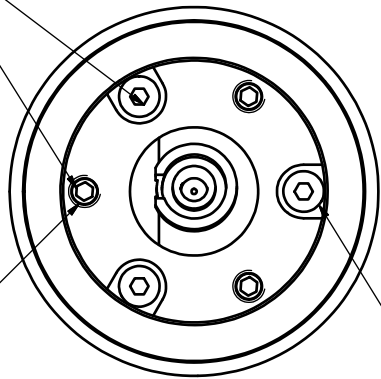


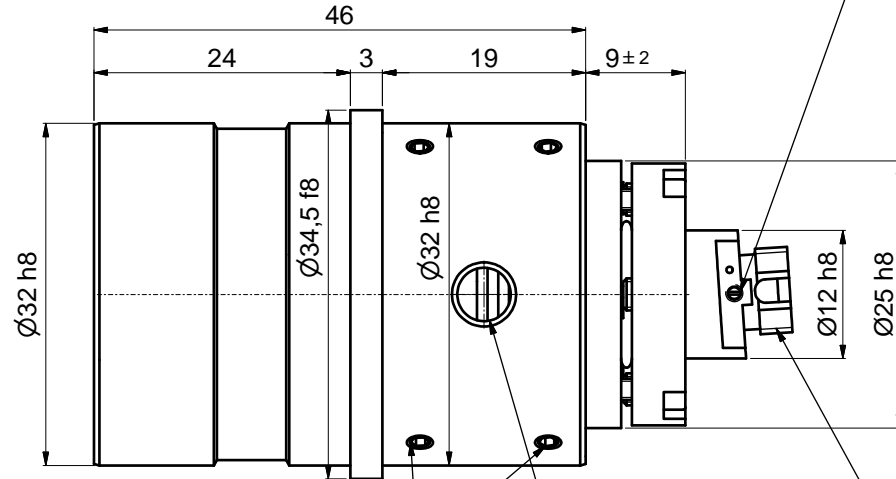
Thrust and tension screw (3x120°)
for tilt adjustment
with hex key wrench size 1.5mm
50HD-15 ①



Thrust screw M3 max.torque 50Ncm

Tension screw M2 max.torque 40Ncm

! Pin screw for additional locking of the fiber ferrule:
- before pulling the FC-connector:
unlock the pin screw.
- before inserting the FC-connector:
make sure the ferrule receptacle is not blocked
by the pin screw !



clamp screws for locking optics position (3x120°)
using hex-key size 1.5mm
50HD-15 ①

Fiber receptacle
type FC-APC

adjustment of focus setting
using eccentric-key 55EX-5 ③

! Don't touch any other screws !

hex-key size 1.5mm 50HD-15

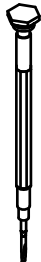
screw driver size 1.2mm 9D-12

eccentric-key 55EX-5

①

②

③



Allgemeintoleranz ISO 2768 - f		Maßstab: 2:1	
Datum		Name	
Bearb.	09.03.2015	Tp	
Gepr.			
Norm			
Schäfter&Kirchhoff		Blatt A3	
OPTO-SENSORIK UND MESSTECHNIK		Blatt 2	
OPTIK-ENTWICKLUNG/ELEKTRONIK/SENSORTECHNIK/OPTIKFIBRE		9802-4186-1800	
Zust.	Änderungen	Datum	Name
Datei: 980241861800.idw		Modell: 980241861800.iam	