

clamp screws
for accessory optics (3x120°)
using hex-key size 1.5mm
50HD-15 ①

Thrust and tension screw (3x120°)
for tilt adjustment
with hex key wrench size 1.5mm
50HD-15 ①

Thrust screw M3 max.torque 50Ncm

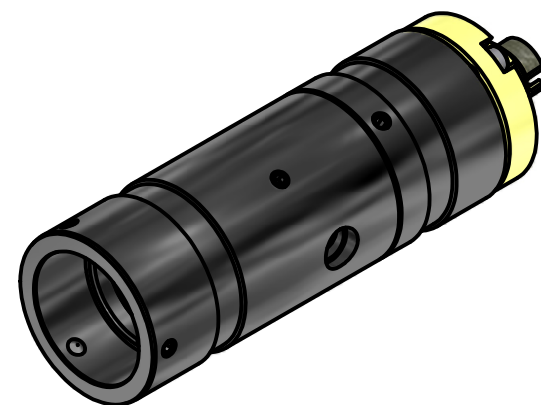
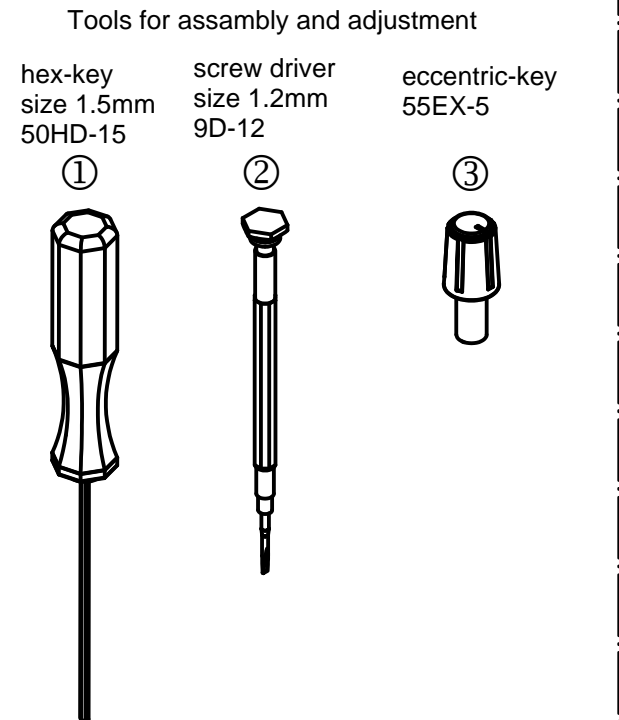
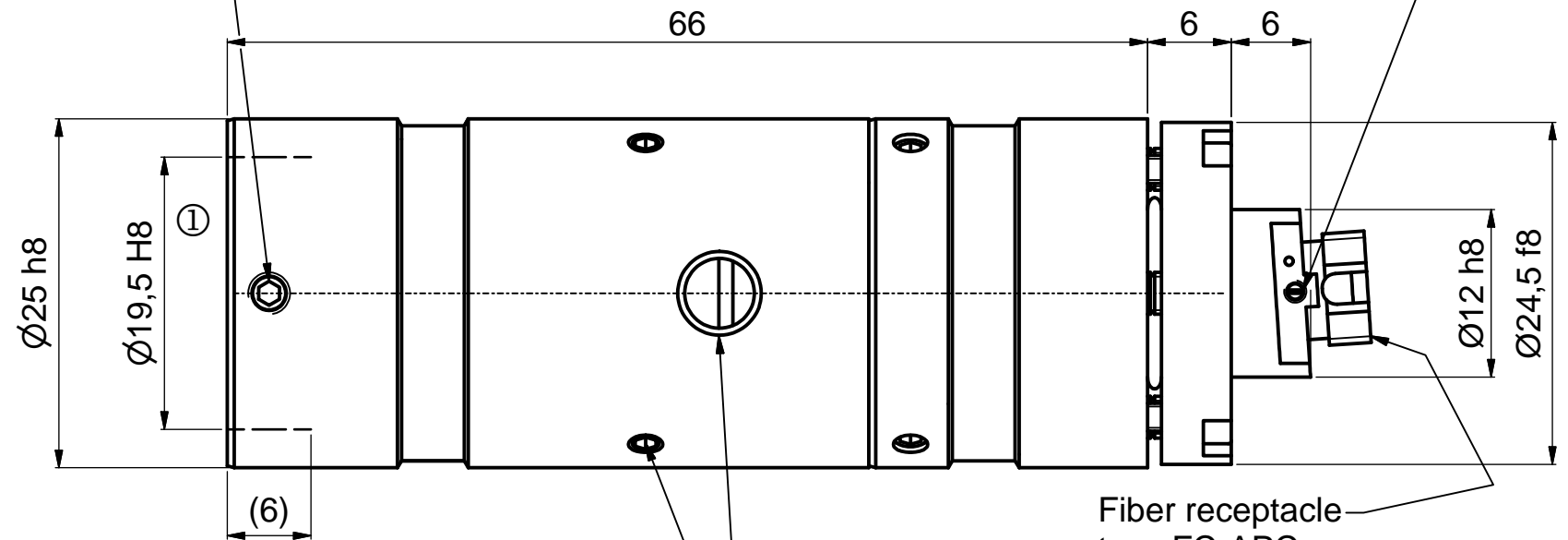
Tension screw M2 max.torque 40Ncm

clamp screws for locking optics position (2x120°)
using hex-key size 1.5mm
50HD-15 ①

adjustment of focus setting
using eccentric-key 55EX-5 ③

! Pin screw for additional locking of the fiber ferrule:
- before pulling the FC-connector:
unlock the pin screw.
- before inserting the FC-connector:
make sure the ferrule receptacle is not blocked
by the pin screw !

Fiber receptacle
type FC-APC



! Don't touch any other screws !

Allgemein- toleranz ISO 2768 - f		Maßstab: 2:1
60FC-T-4-M60-xx		
Datum		Name
Bearb.	29.07.2015	Tp
Gepr.		
Norm		
Schäfter&Kirchhoff		Blatt A3
OPTO-SENSORIK UND MESSTECHNIK		9803-1223-5300
OPTIK-ENTWICKLUNG-ELEKTRONIK-SENSORTECHNIK-SOFTWARE		Blatt: 2
Zust.	Änderungen	Datum
Name	Datei: 980312235300.idw	Modell: 980312235300.iam