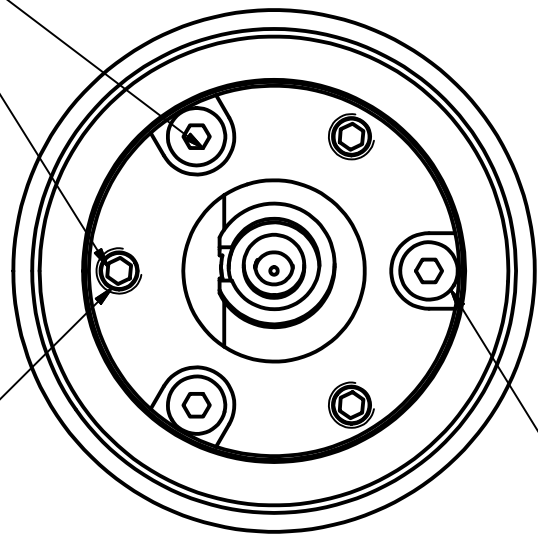


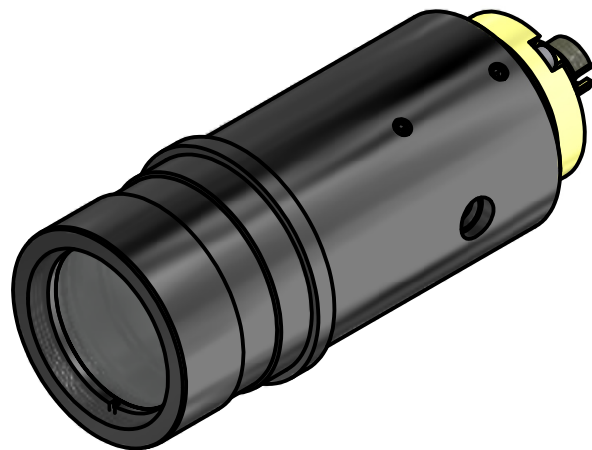
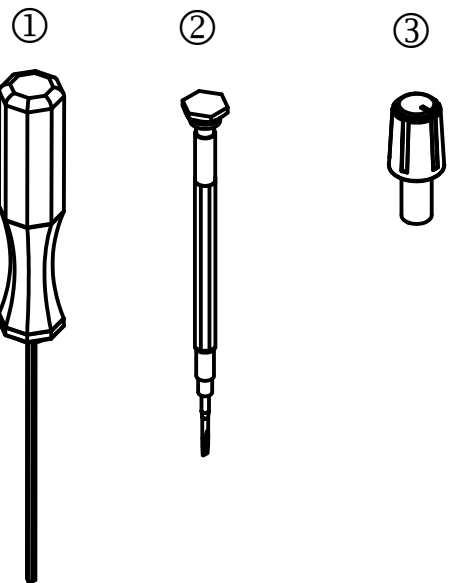
Thrust and tension screw (3x120°)
for tilt adjustment
with hex key wrench size 1.5mm
50HD-15 ①



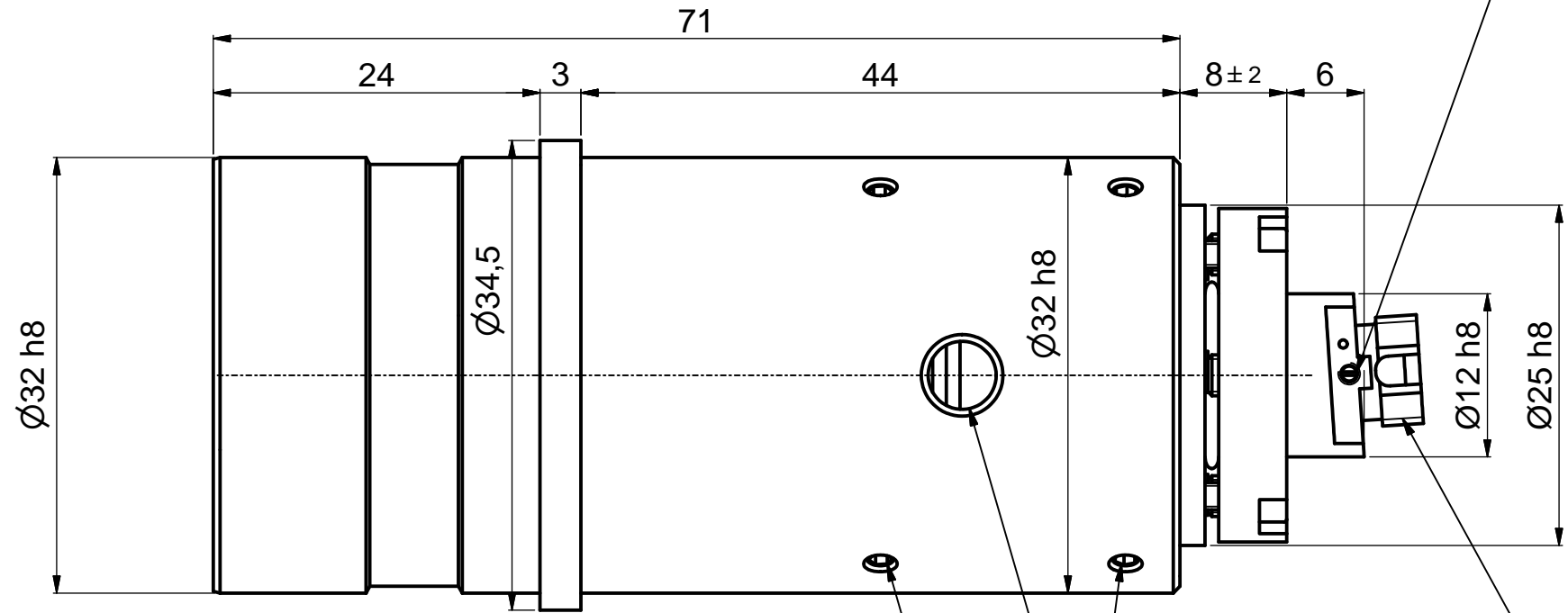
Thrust screw M3 max.torque 50Ncm

Tension screw M2 max.torque 40Ncm

hex-key size 1.5mm 50HD-15 screw driver size 1.2mm 9D-12 eccentric-key 55EX-5



! Pin screw for additional locking of the fiber ferrule:
- before pulling the FC-connector:
unlock the pin screw.
- before inserting the FC-connector:
make sure the ferrule receptacle is not blocked
by the pin screw !



clamp screws for locking optics position (3x120°)
using hex-key size 1.5mm ①
50HD-15

adjustment of focus setting
using eccentric-key 55EX-5 ③

Fiber receptacle
type FC-APC

! Don't touch any other screws !

Allgemeintoleranz ISO 2768 - f		Maßstab: 2:1	
60FC-T-4-M75-xx		Fiber collimator f'75	
Fiber receptacle type FC-APC		Blatt A3	
Schäfter&Kirchhoff OPTO-SENSORIK UND MESSTECHNIK OPTIK-ENTWICKLUNG-ELEKTRONIK-SENSORTECHNIK-SOFTWARE		Blatt: 2	
Zust.	Änderungen	Datum	Name
Datei: 980241861700.idw		Modell: 980241861700.iam	