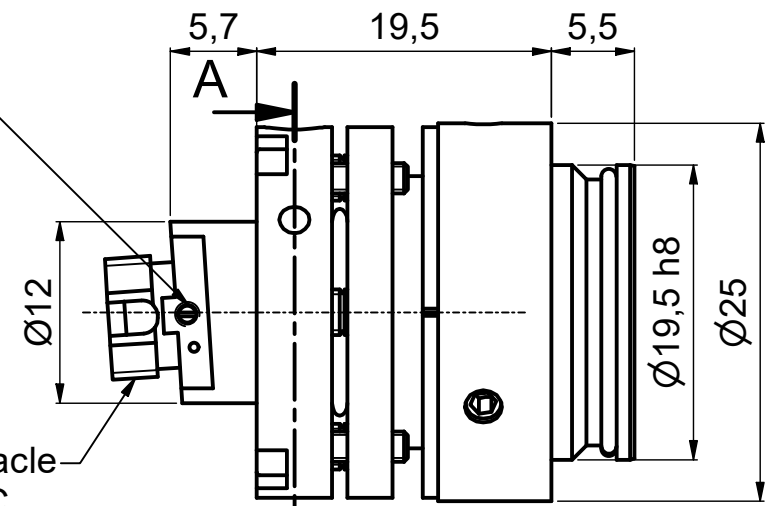
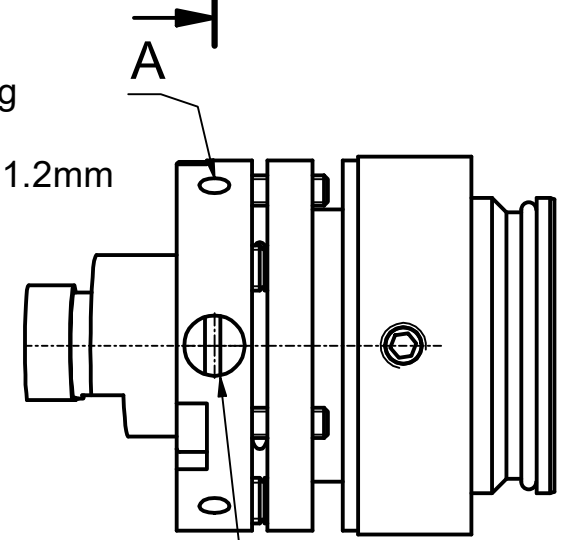


②! Pin screw for additional locking of the fiber ferrule:  
 - before pulling the FC-connector:  
 unlock the pin screw.  
 - before inserting the FC-connector:  
 make sure the ferrule receptacle is not blocked  
 by the pin screw !



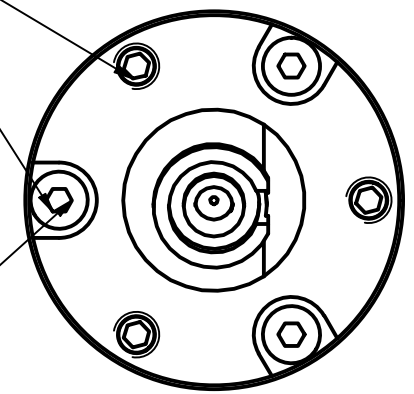
Fiber receptacle  
 type FC-APC  
 (wide key)

clamp screws for locking  
 optics position (2x120°)  
 using screw-driver size 1.2mm  
 9D-12 ②



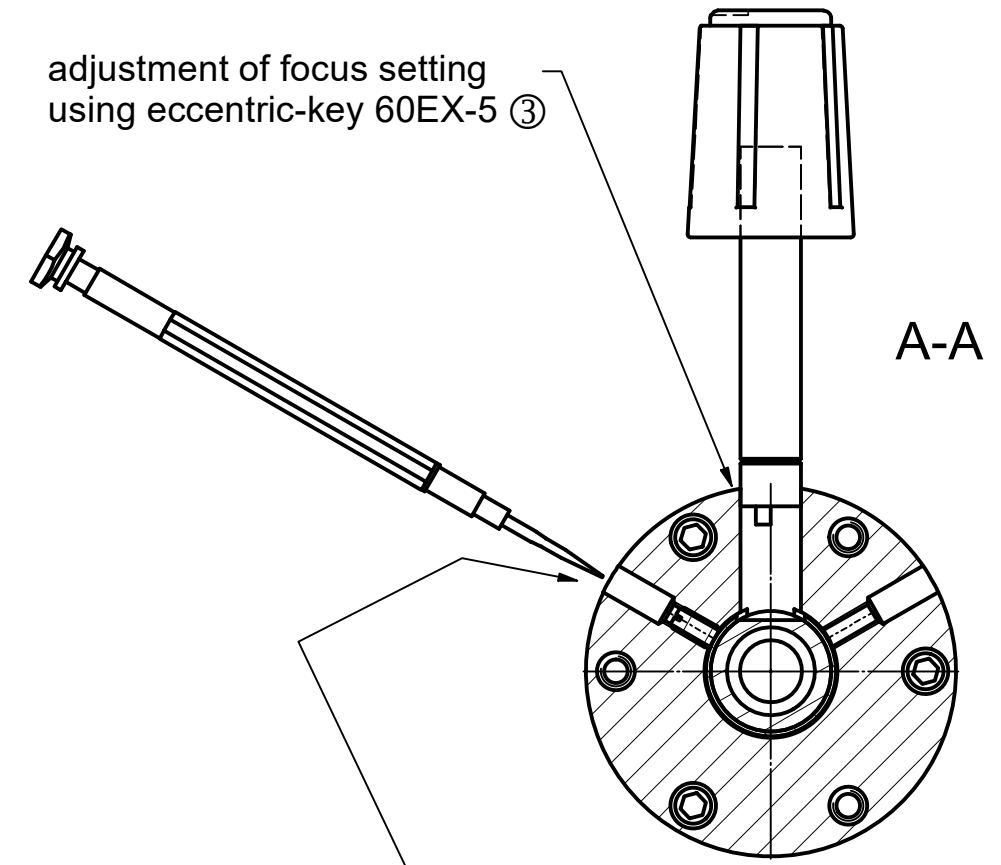
adjustment of focus setting  
 using eccentric-key 60EX-5 ③

Thrust and tension screw (3x120°)  
 for tilt adjustment  
 with hex key wrench size 1.5mm  
 50HD-15 ①

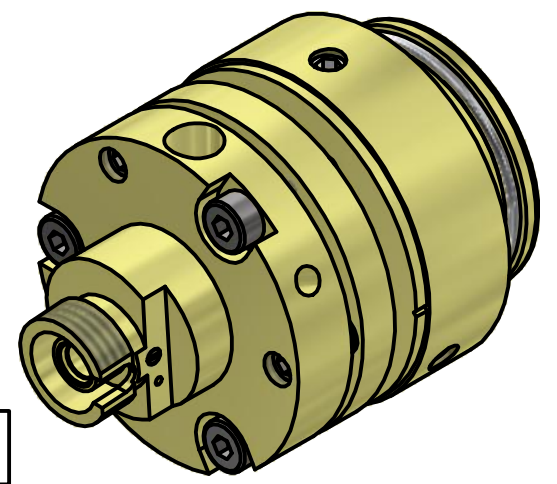


Thrust screw M3 max.torque 50Ncm  
 Tension screw M2 max.torque 40Ncm

adjustment of focus setting  
 using eccentric-key 60EX-5 ③

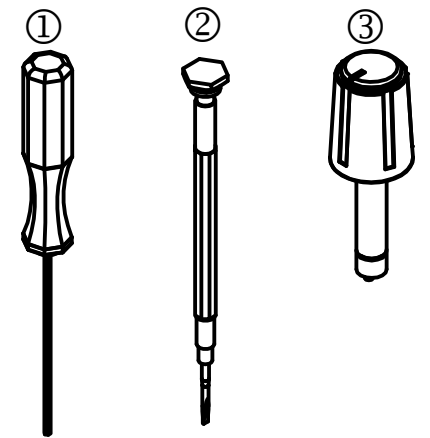


clamp screws  
 for locking optics position (2x120°)  
 using screw-driver size 1.2mm  
 9D-12 ②



! Don't touch any other screws !

Tools for assembly and adjustment  
 hex-key size 1.5mm 50HD-15    screw driver size 1.2mm 9D-12    eccentric-key 60EX-5 focal length



Dimensions DIN EN ISO 14405	Scale: 2:1		60SMS-1-4-xx-xx
	Date    Name		
editor    10.12.2019    Lamott		Laser beam coupler with adapter	
exam.		60SMS-1-4 with f' greater or equal 18 mm	
free		Customer Drawing	
Schäfter+Kirchhoff OPTICS, METROLOGY, AND PHOTONICS GmbH		0108-2119-0400	
File: 010821190400.idw		Model: 010821190400.iam	