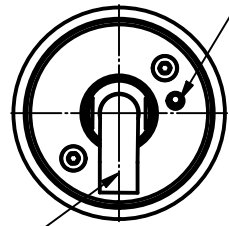
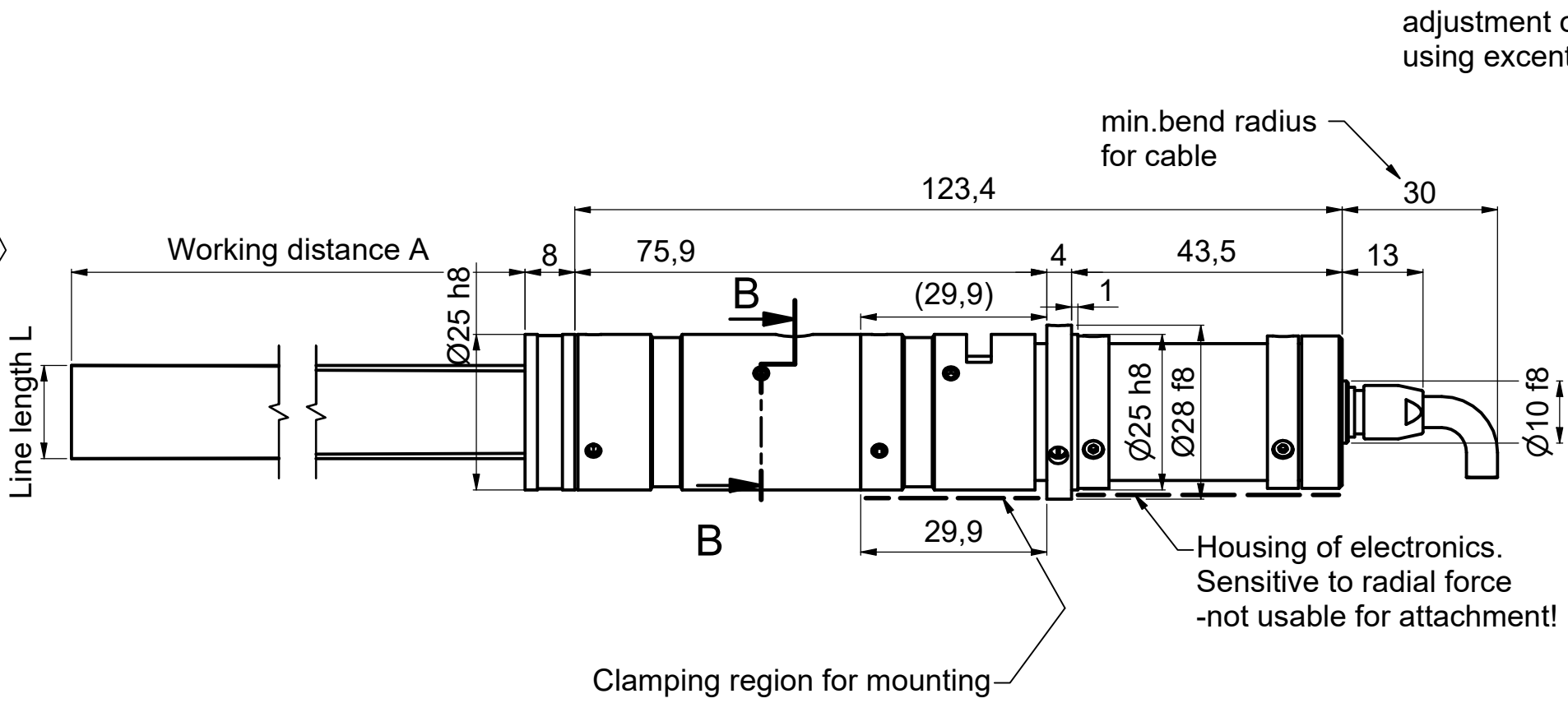


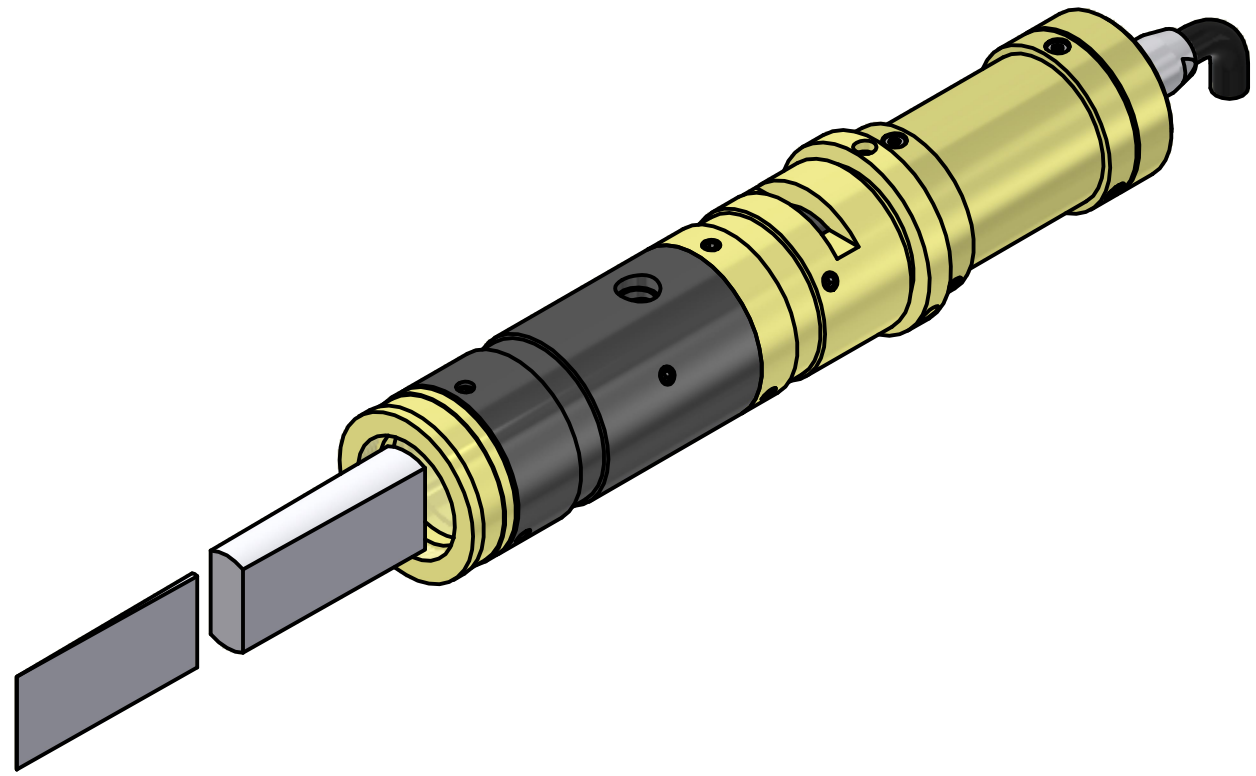
Laser power adjustment clockwise twist to increase



Orientation of laser line with respect to housing



! Don't touch any other screws !



Dimensions DIN EN ISO 14405		Scale: 1:1		Weight: -	
		LNC-13LT-91CM+80			
		Date		Name	
		03.04.2017		Trapp	
		LNC-13LT-91CM+80			
		Laser Diode Modules with Low Coherence			
		Customer Drawing			
		Schäfter+Kirchhoff OPTICS, METROLOGY, AND PHOTONICS		9304-1200-0146	
		Blatt A3		Blatt: 1 / 1	
State	Changes	Date	Name	File: 930412000146.idw	Model: 930412000146.iam