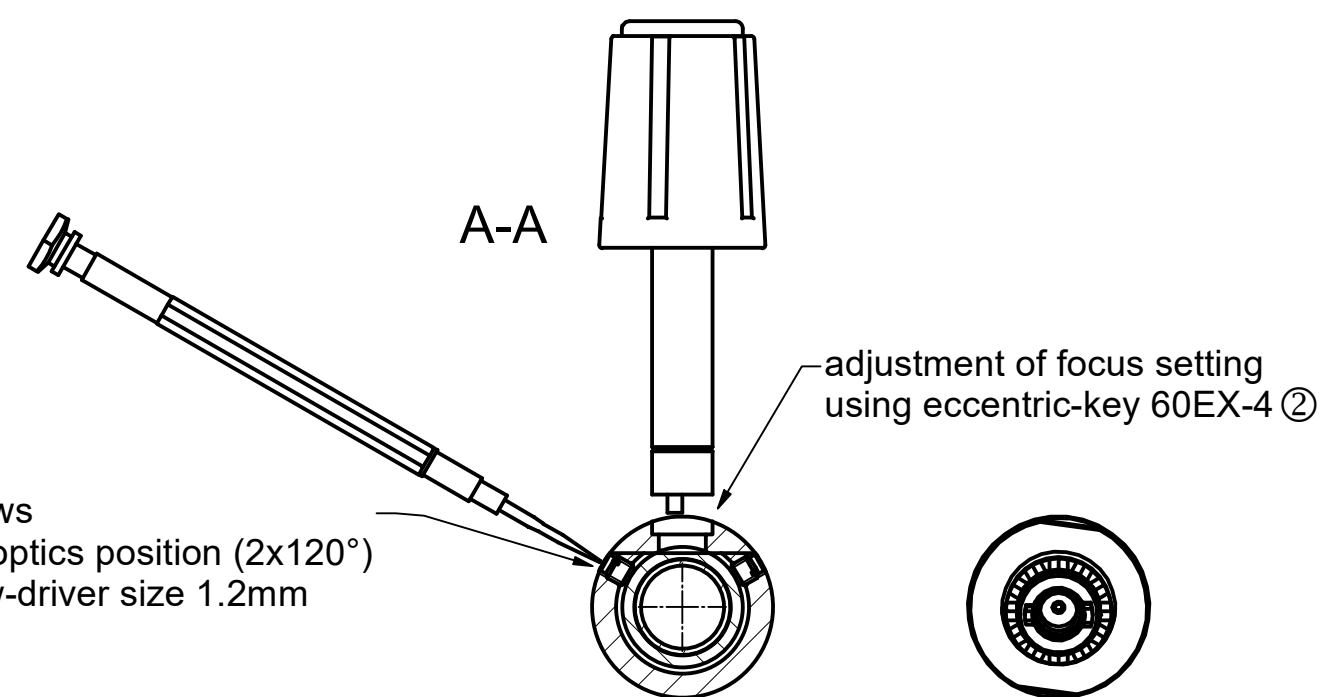
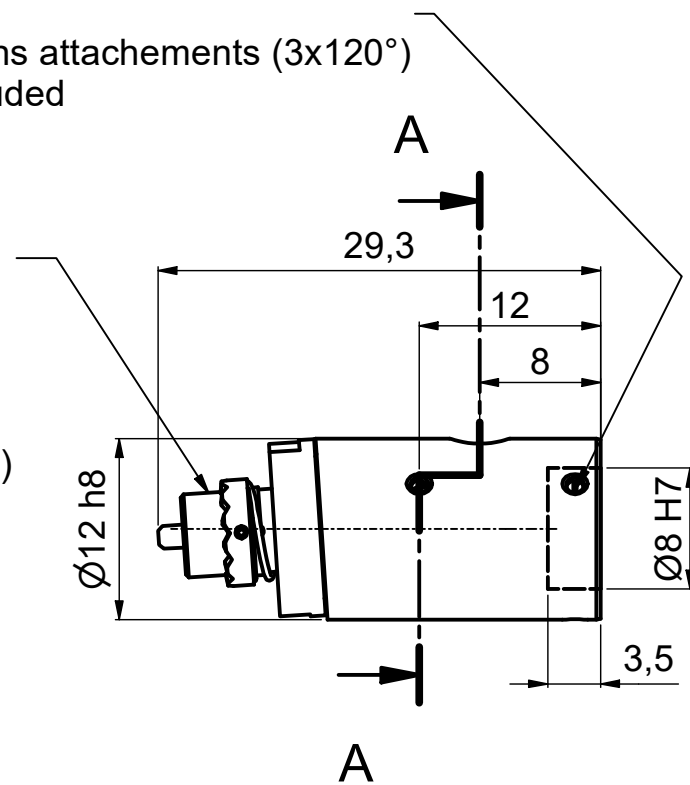
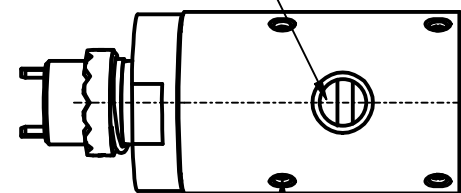


clamp screws
for locking of lens attachments (3x120°)
screws not included

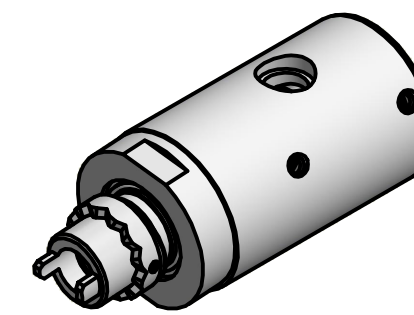
Fiber receptacle type
Mini AVIM®
with ratchet system using
6.5mm torque wrench
calibrated to 0.3 Nm and
inclined coupling axis (APC)



adjustment of focus setting
using eccentric-key 60EX-4 ②



clamp screws
for locking optics position (2x120°)
using screw-driver size 1.2mm
9D-12 ①



For information only
Not for manufacturing purposes

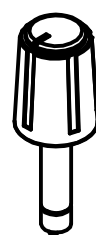
Tools for assembly and adjustment

screw driver
size 1.2mm
9D-12

eccentric-key
60EX-4

①

②



Dimensions DIN EN ISO 14405	Scale: 2:1		Weight: 8,380 g	
	<p>Fiber collimator f'1.5 to 12 mm with Mini AVIM APC receptacle, Ti</p> <p>Customer Drawing</p> <p>2001-0900-0100</p>			
Date		Name		<p>Sice: A3</p> <p>Page: 1</p>
editor 16.02.2021		Lamott		
exam.				
free				
<p>Schäfter+Kirchhoff OPTICS, METROLOGY, AND PHOTONICS</p>				<p>File: 200109000101.idw</p> <p>Model: 200109000101.iam</p>