

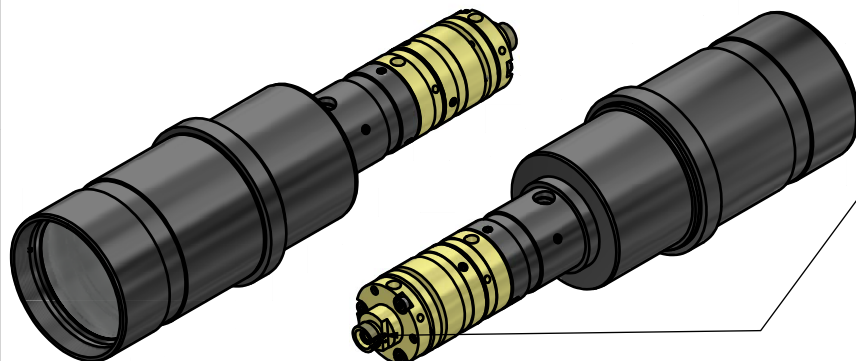
Adjustment telescope
with excenter key
55EX-5

clamp screws for adjustment telescope (2x120°)
using hex-key size 1.5mm
50HD-15

- ! Pin screw for additional locking of the fiber ferrule:
- before pulling the FC-APC-connector:
unlock the pin screw.
- before inserting the FC-APC-connector:
make sure the ferrule receptacle is not blocked
by the pin screw !

! Don't touch other screws !

For information only
Not for manufacturing purposes



Allgemein- toleranz ISO 2768 - f		Maßstab: 1:1	
Datum		Name	
Bearb.	06.04.2017	A. Trapp	
Gepr.			
Norm			
Fiber Collimator		60FC-E-4-F57x114-780	
60FC-4-F57x114-780		9802-4110-0305	
Schäfter&Kirchhoff OPTO-SENSORIK UND MESSTECHNIK <small>OPTIK-ENTWICKLUNG/ELEKTRONIK/MESS- UND FERTIGUNGSTECHNIK</small>		Blatt A3	
Zust.	Änderungen	Datum	Name
Datei: 980241100305.idw		Modell: 980241100305.iam	
		Blatt: 2	