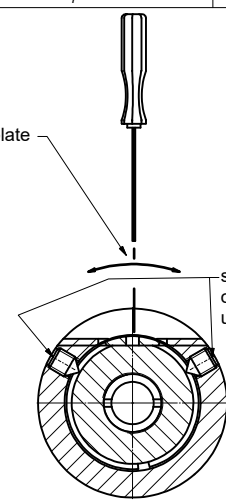
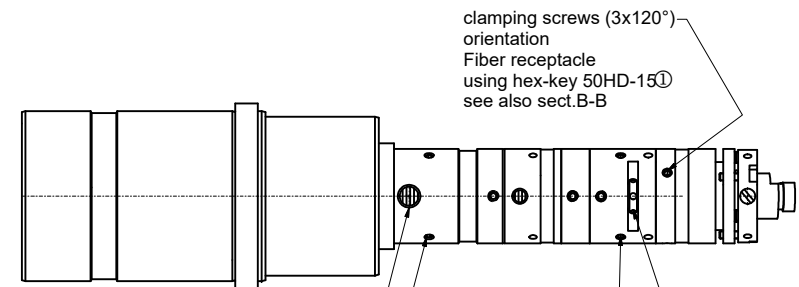


B-B

adjustment of orientation waveplate by rotation the optics using hex-key 50HD-15 ①



screws (2x120°) for locking orientation waveplate using hex-key 50HD-15 ①



clamping screws (3x120°) orientation Fiber receptacle using hex-key 50HD-15 ① see also sect.B-B

Adjustment telescope with excenter key 55EX-5 ③

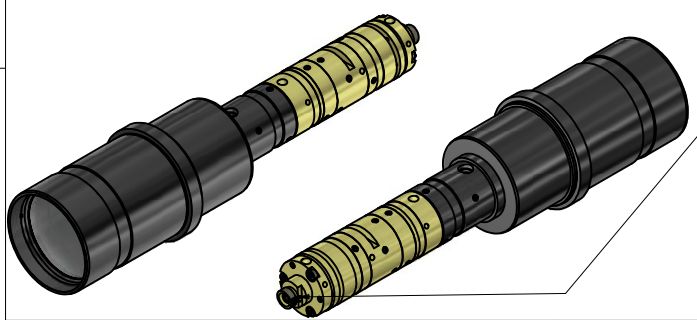
clamp screws for adjustment telescope (2x120°) using hex-key size 1.5mm 50HD-15 ①

screws (2x120°) for locking orientation waveplate using hex-key 50HD-15 ① see also sect.B-B

adjustment of orientation waveplate by rotation the optics using hex-key 50HD-15 ① see also sect.B-B

Tools for assembly and adjustment

hex-key size 1.5mm 50HD-15 ①	screw driver size 1,2mm 9D-12 ②	eccentric-key 55EX-5 ③
------------------------------	---------------------------------	------------------------



! Pin screw for additional locking of the fiber ferrule:  
 - before pulling the FC-APC-connector: unlock the pin screw with screw driver 9D-12. ②  
 -before inserting the FC-APC-connector: make sure the ferrule receptacle is not blocked by the pin screw !

! Don't tough other screws !

For information only  
 Not for manufacturing purposes

Allgemeintoleranz ISO 2768 - f		Maßstab: 1:1	
Datum: 08.07.2021		Name: A.Trapp	
60FC-E-Q780-4-F57x171			
Fiber Collimator			
60FC-E-Q780-4-F57x171			
Schäfer&Kirchhoff		9802-4110-0308	
OPTO-SENSORIK UND MESSTECHNIK			
Zust:	Änderungen	Datum	Name
Datei: 980241100308.idw		Model: 980241100308.iam	
			Blatt A2
			Blatt: 2