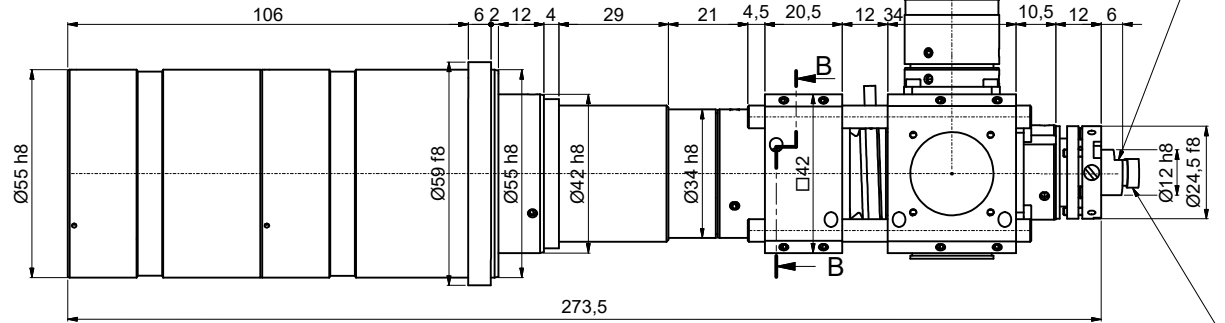
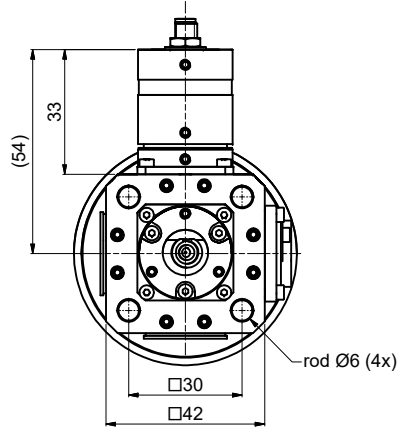


B-B

clamp screws for locking optics position (3x120°)  
using hex-key size 1.5mm  
50HD-15 ①

adjustment of focus setting  
using eccentric-key 55EX-5 ③



! Pin screw for additional locking of the fiber ferrule:  
- before pulling the FC-connector:  
unlock the pin screw.  
- before inserting the FC-connector:  
make sure the ferrule receptacle is not blocked  
by the pin screw !

Fiber receptacle  
type FC-APC  
(wide key)

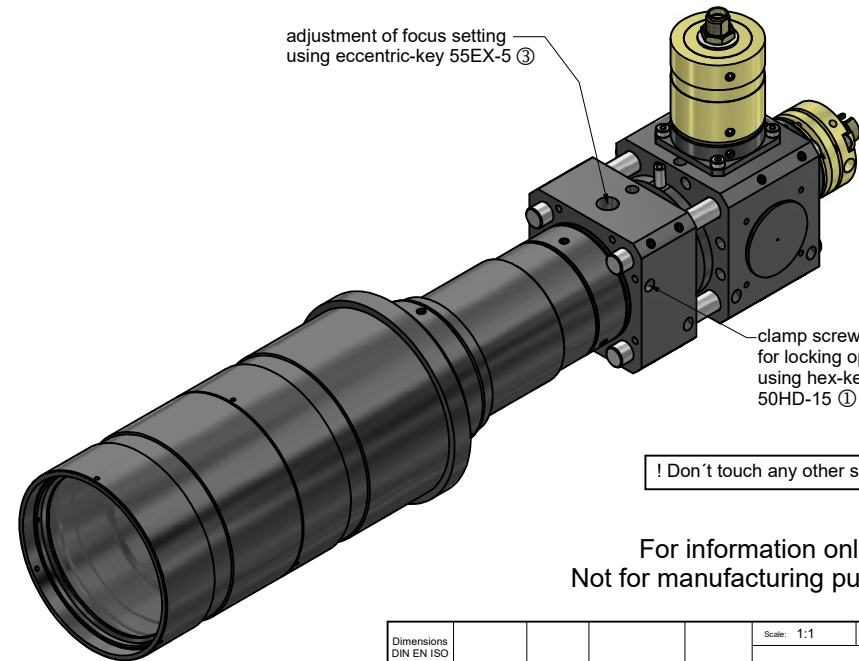
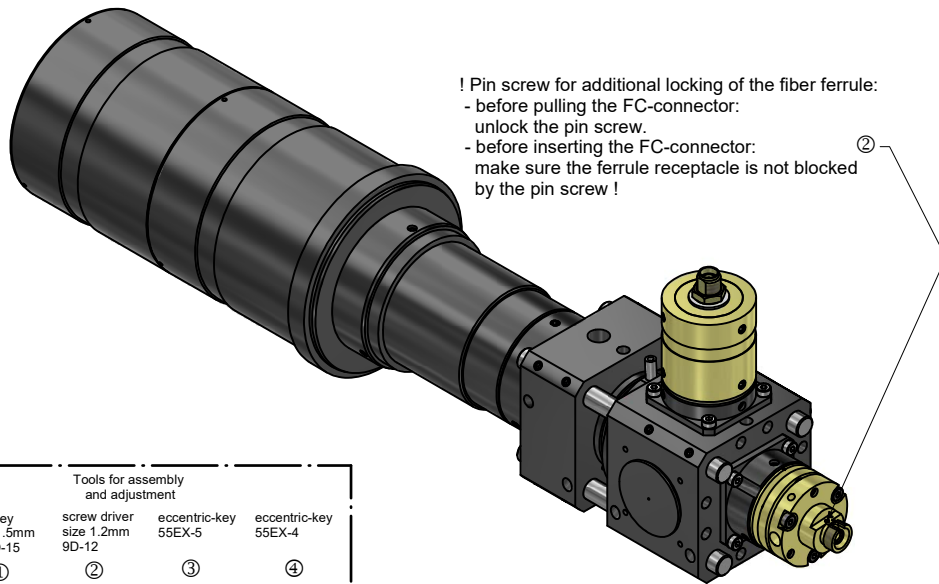
! Pin screw for additional locking of the fiber ferrule:  
- before pulling the FC-connector:  
unlock the pin screw.  
- before inserting the FC-connector:  
make sure the ferrule receptacle is not blocked  
by the pin screw !

adjustment of focus setting  
using eccentric-key 55EX-5 ③

clamp screws  
for locking optics position (3x120°)  
using hex-key size 1.5mm  
50HD-15 ①

! Don't touch any other screws !

For information only  
Not for manufacturing purposes



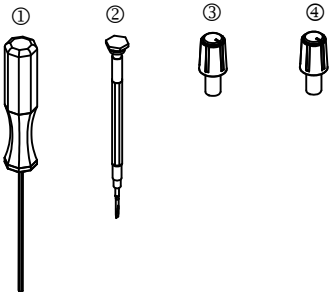
Tools for assembly  
and adjustment

hex-key  
size 1.5mm  
50HD-15

screw driver  
size 1.2mm  
9D-12

eccentric-key  
55EX-5

eccentric-key  
55EX-4



Dimensions DIN EN ISO 14405					Scale: 1:1
					custom 0018
					<b>Fiber Collimator</b>
					60FC-PD-Q852Z-4-F120
					Customer Drawing
					Schäfer+Kirchhoff OPTICS, METROLOGY AND PHOTONICS
					9802-4110-0514
					File: 980241100514.idw
					Model: 980241100514.iam
					Size: A2
					Page: 1